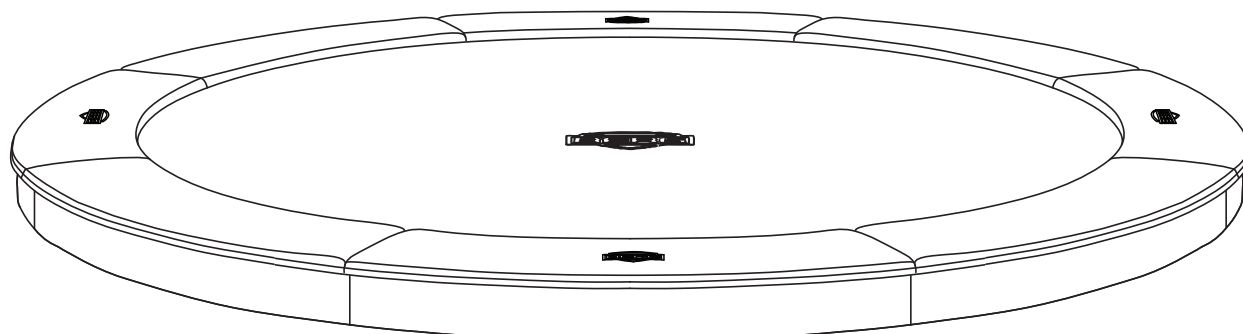
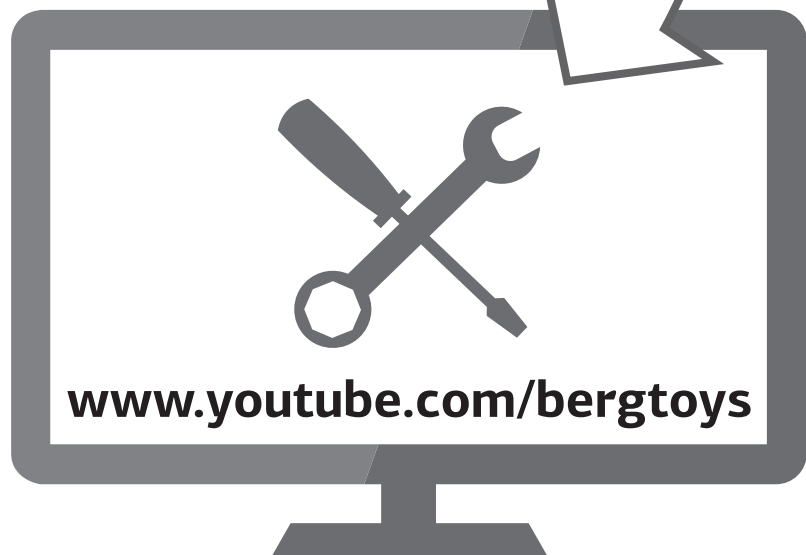
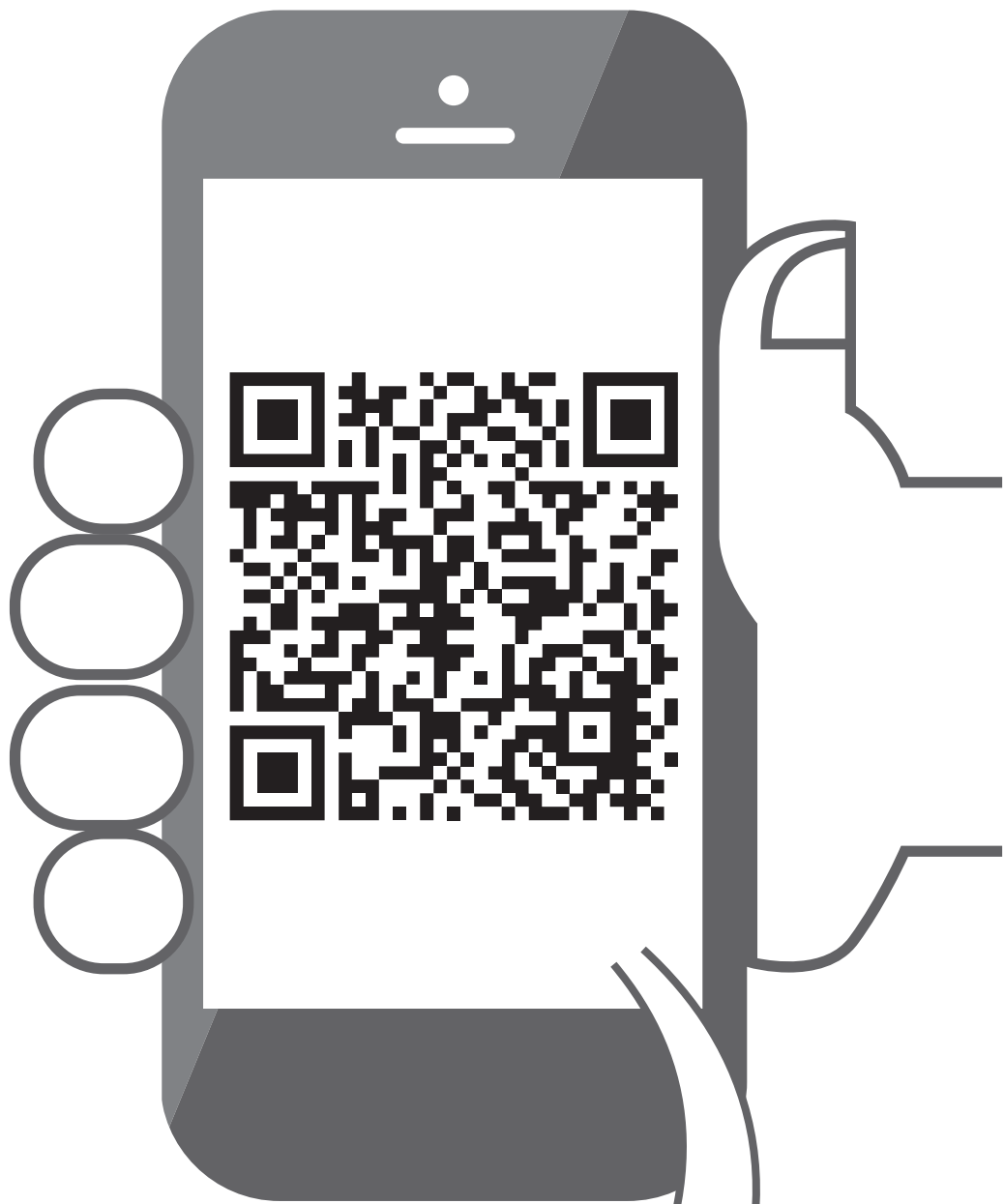




BERG FlatGround

User manual
Gebruikshandleiding
Gebrauchsanweisung
Mode d'emploi
Instruktionsbok
Brugermanual



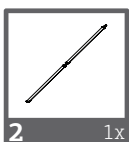
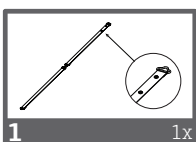
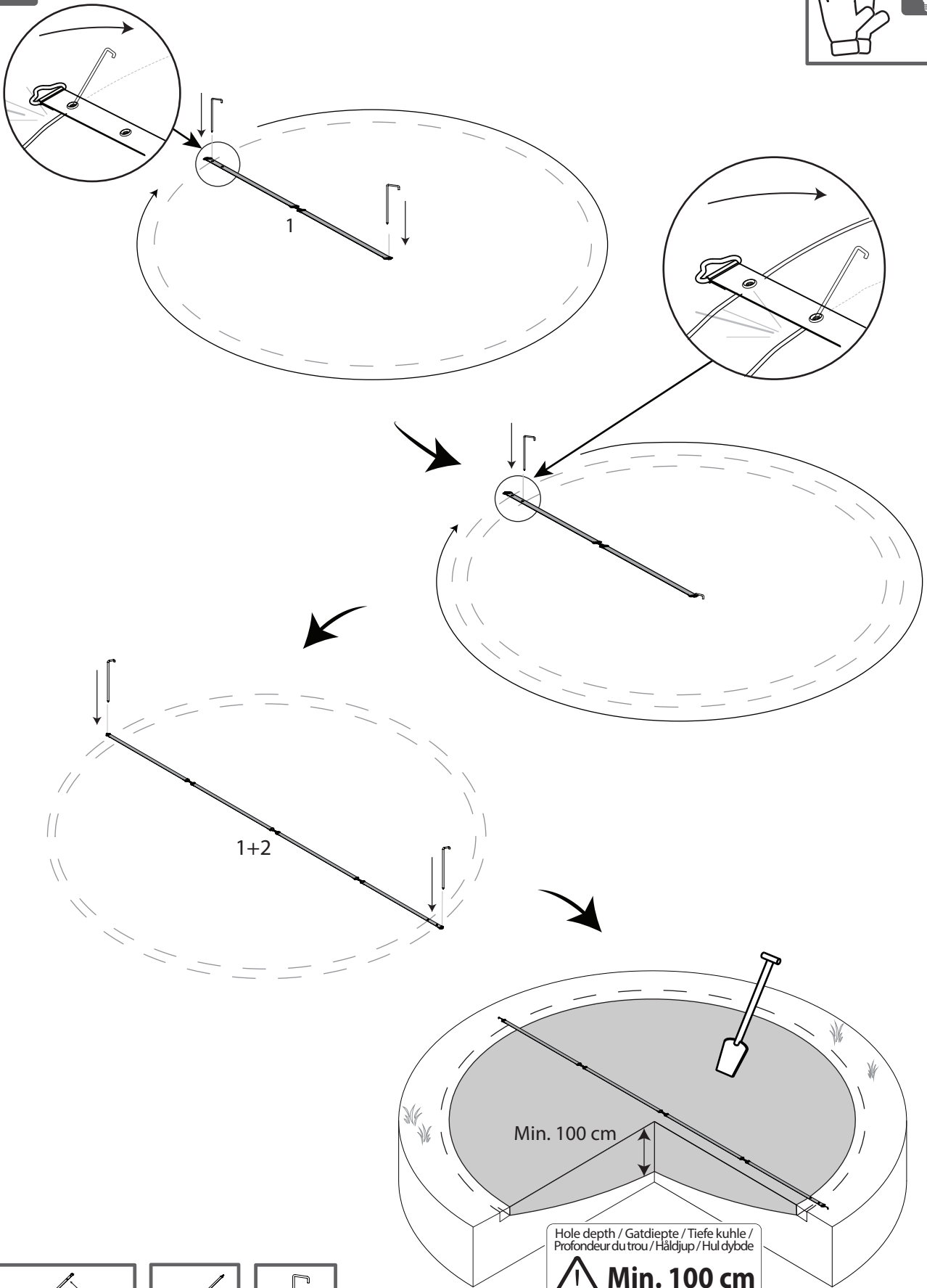
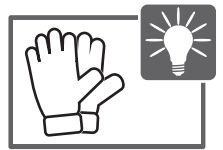




<p>1 1x</p>	<p>2 1x</p>	<p>3 1x</p>	
<p>4 4x</p>	<p>5 4x</p>		
<p>6 1x</p>	<p>7 1x</p>		
<p> $\varnothing 330 = 96x$ $\varnothing 380 = 112x$ $\varnothing 430 = 128x$ </p> <p>8</p>	<p>9 16x</p>	<p>10 2x</p>	<p>11 16x</p>
<p>12 16x</p>	<p>13 16x</p>	<p>14 1x</p>	<p>15 1x</p>

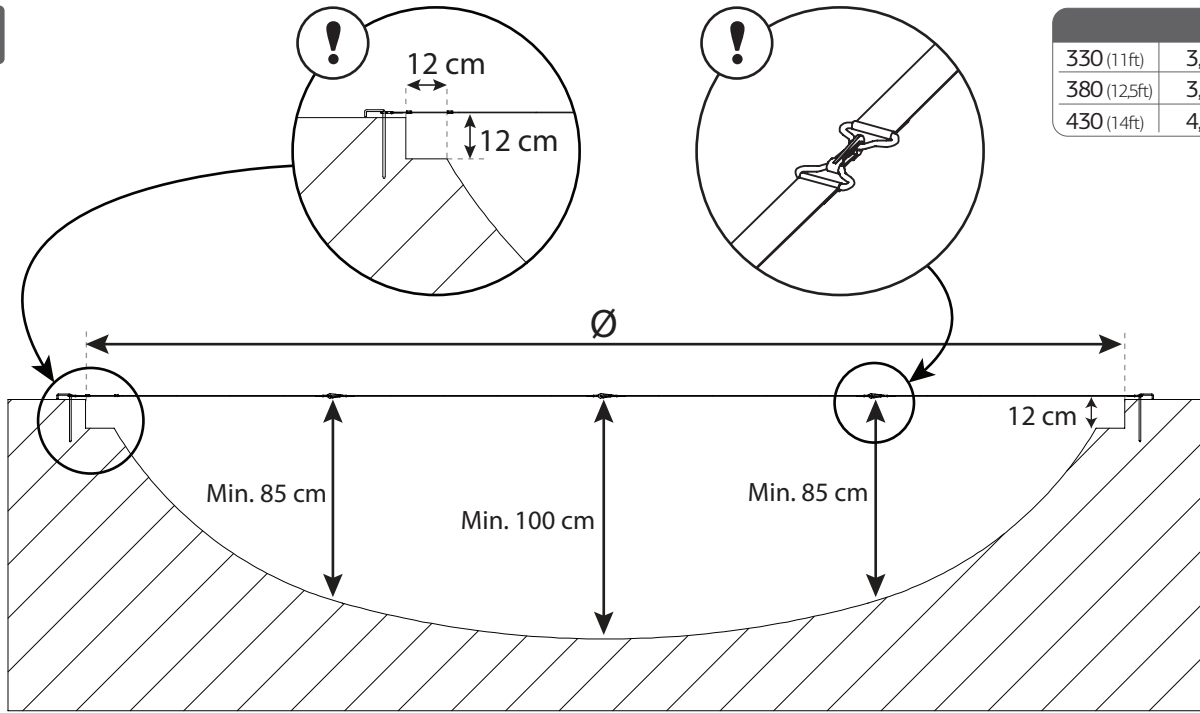


1

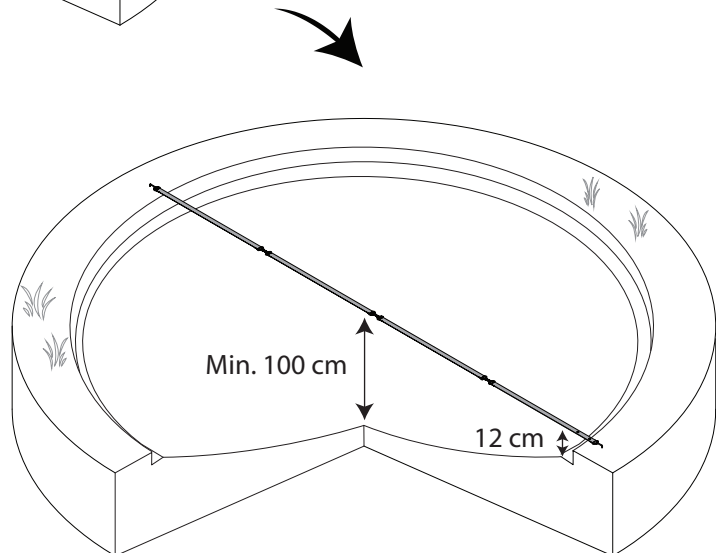
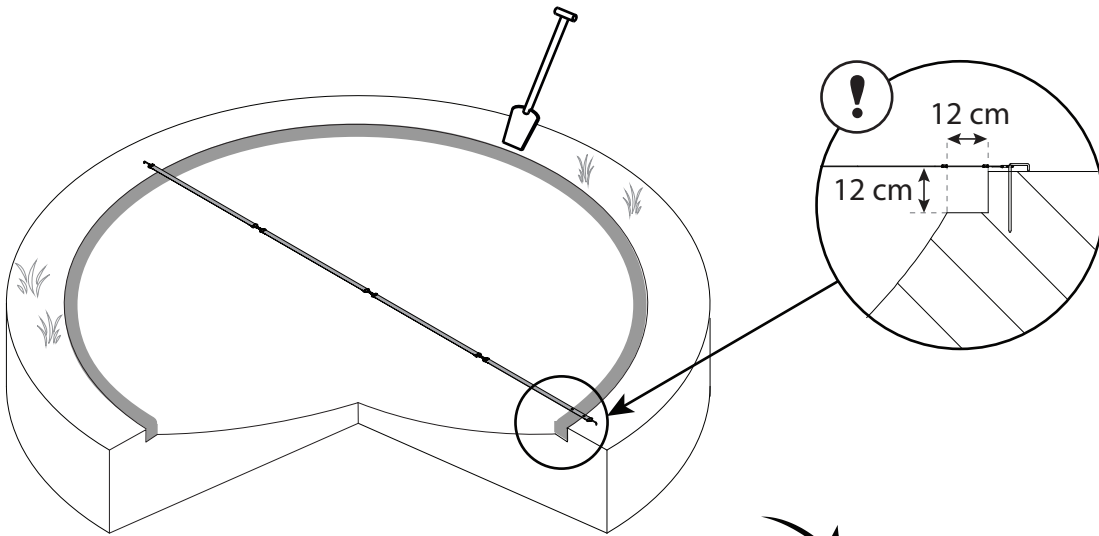




2

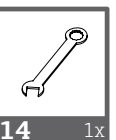
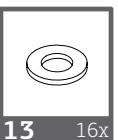
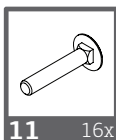
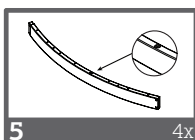
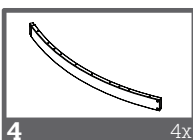
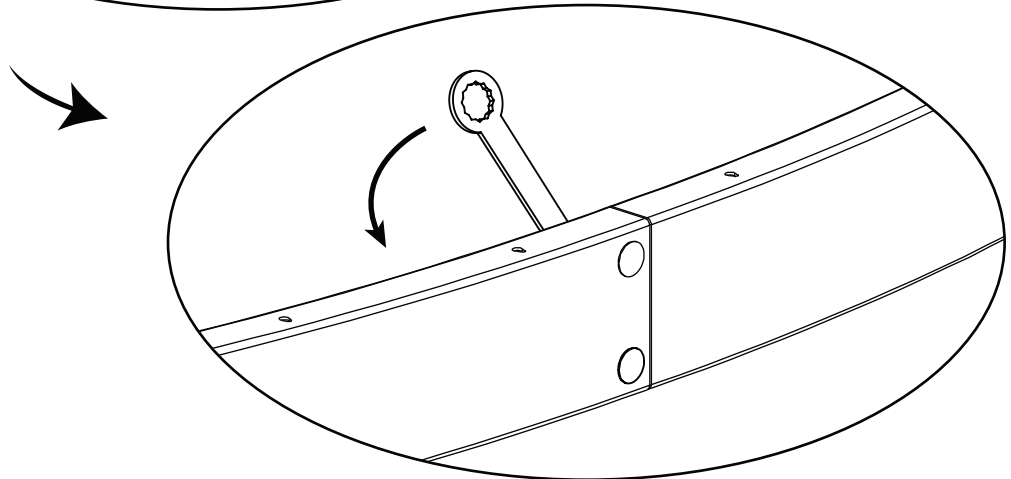
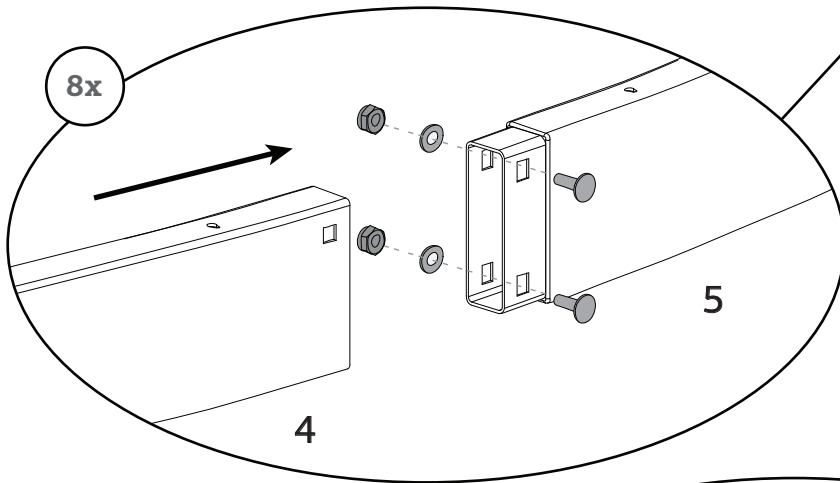
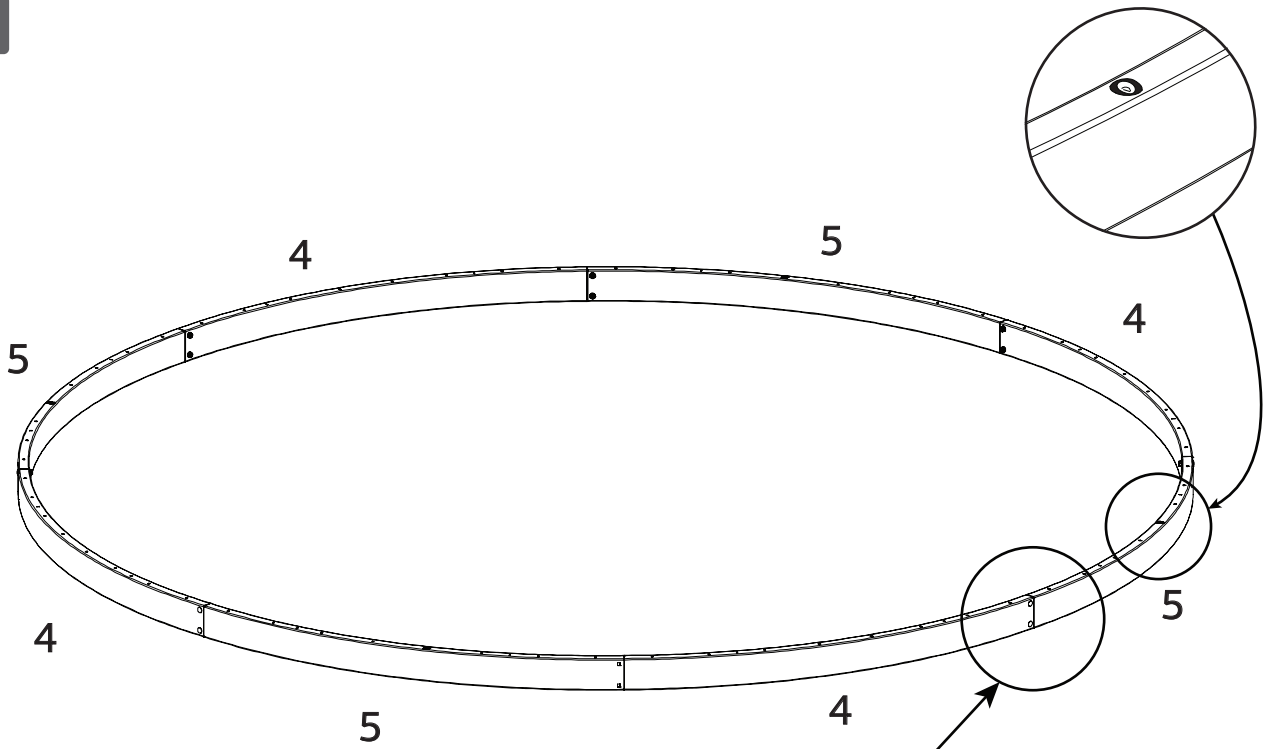


	\emptyset
330 (11ft)	3,3 m
380 (12.5ft)	3,8 m
430 (14ft)	4,3 m



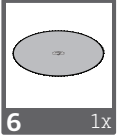
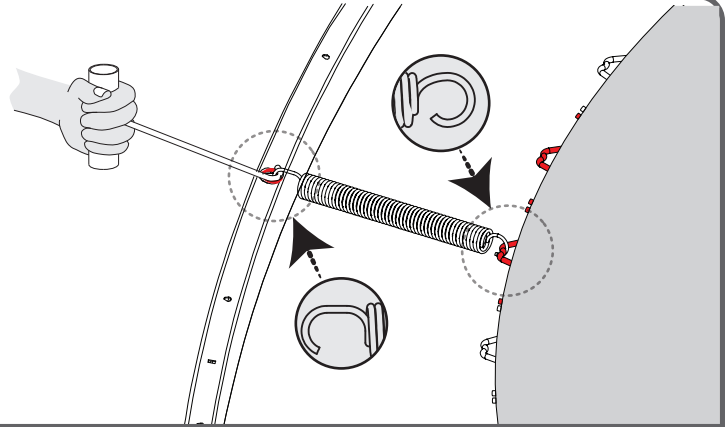


3



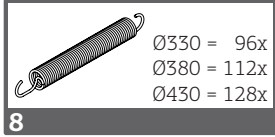


4



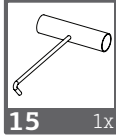
6

1x



8

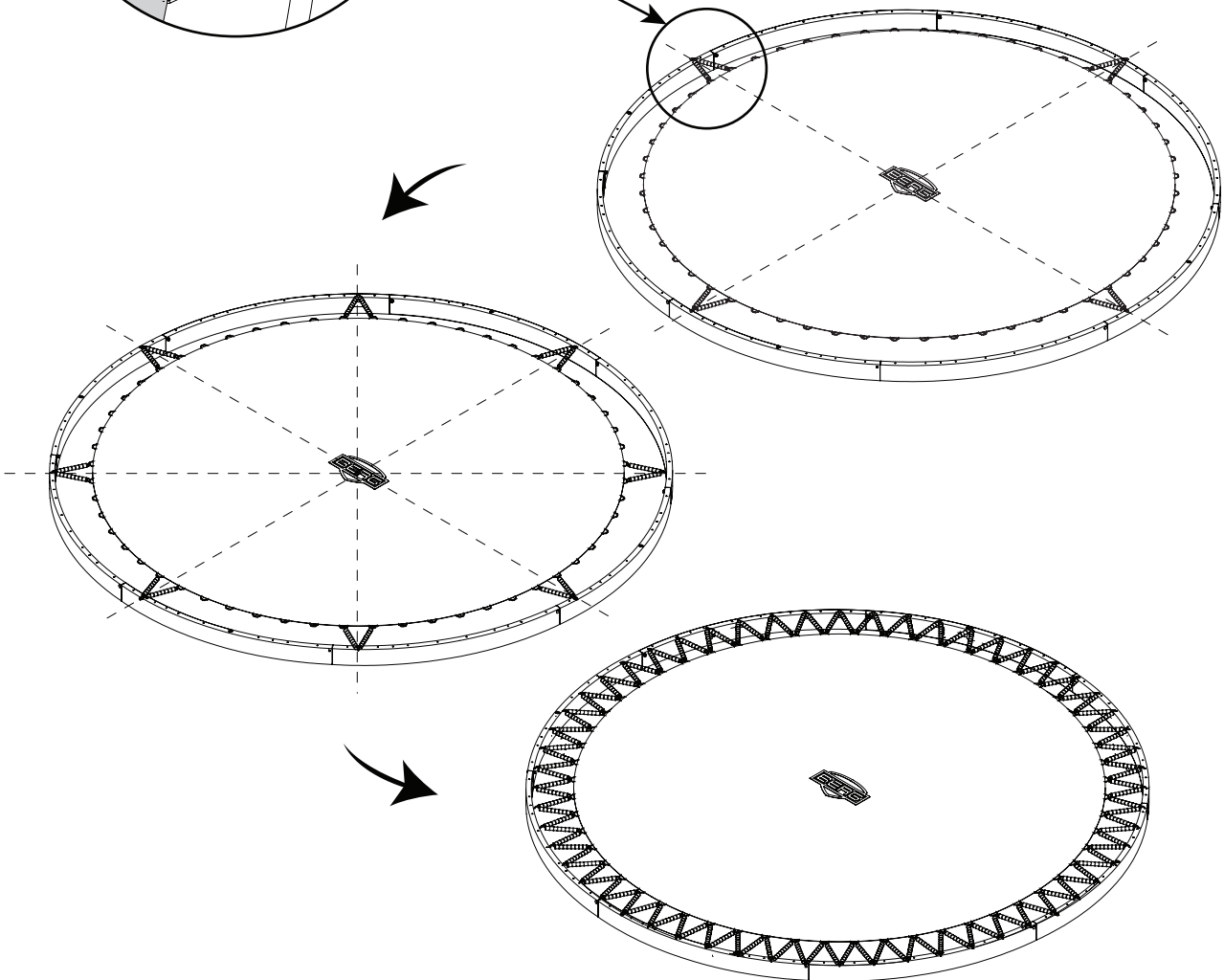
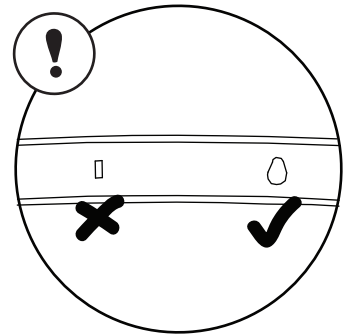
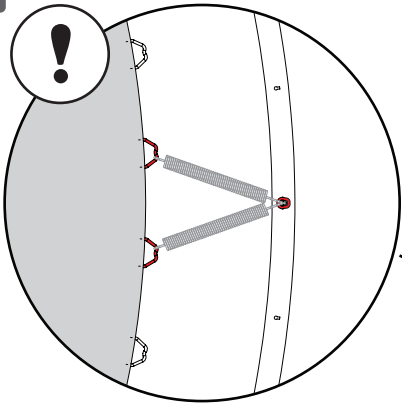
Ø330 = 96x
Ø380 = 112x
Ø430 = 128x



15

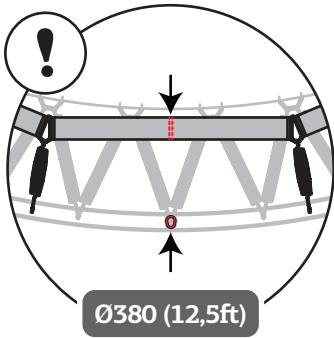
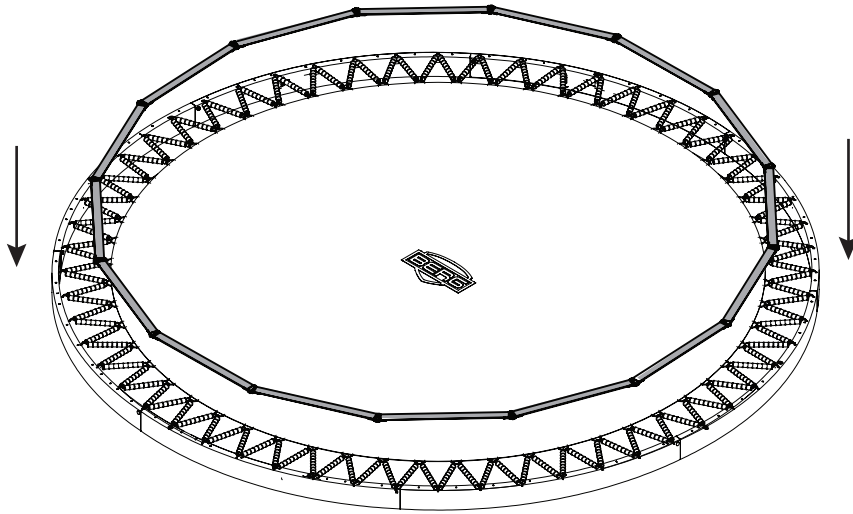
1x

5

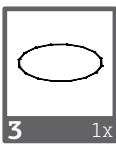
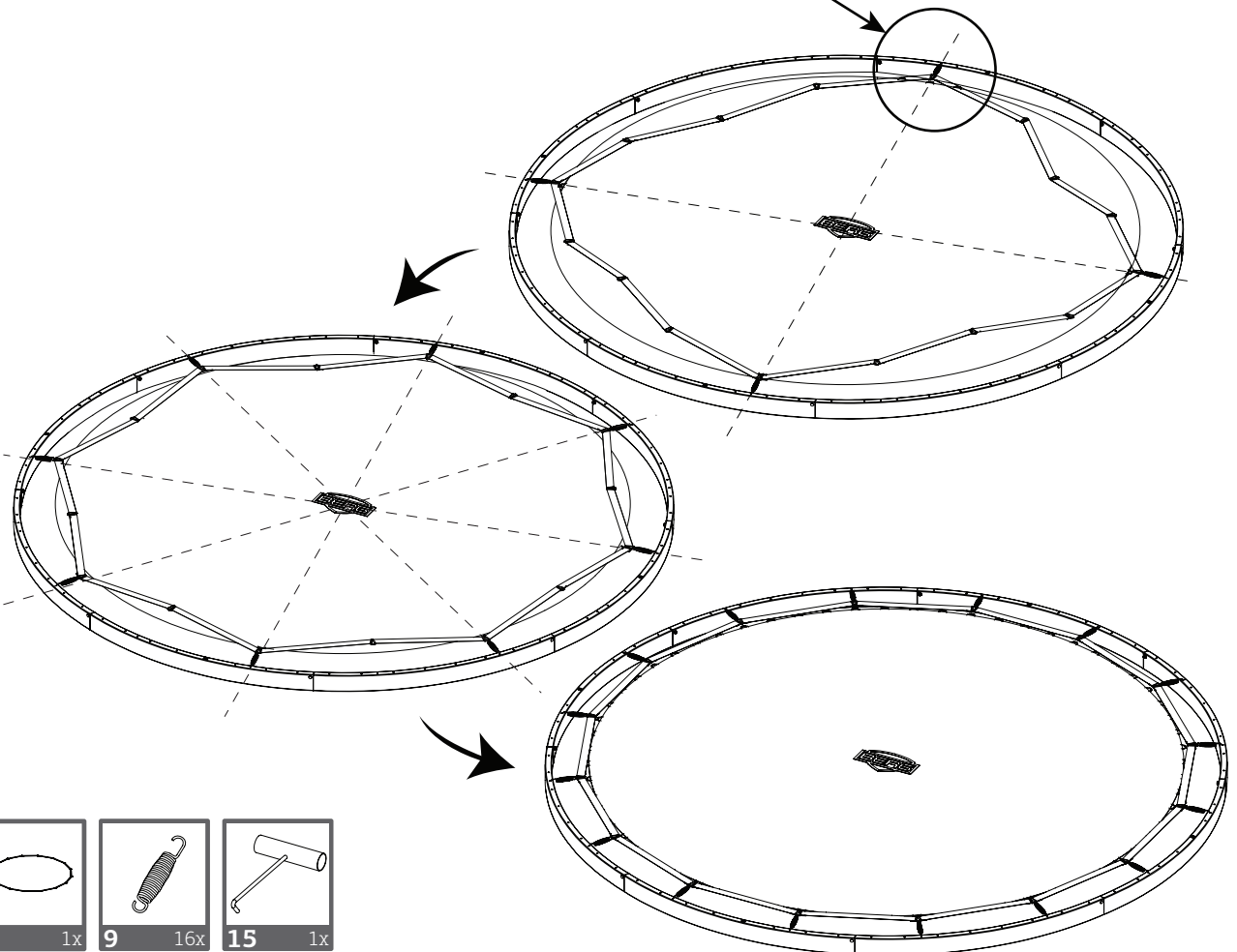
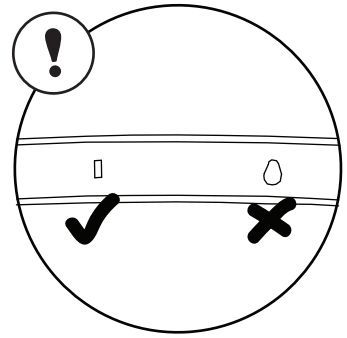
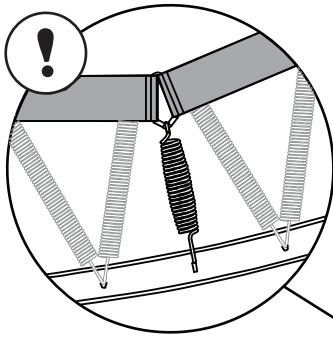




6



Ø380 (12,5ft)



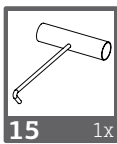
3

1x



9

16x

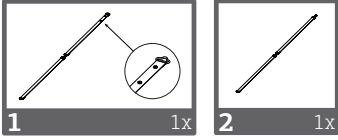
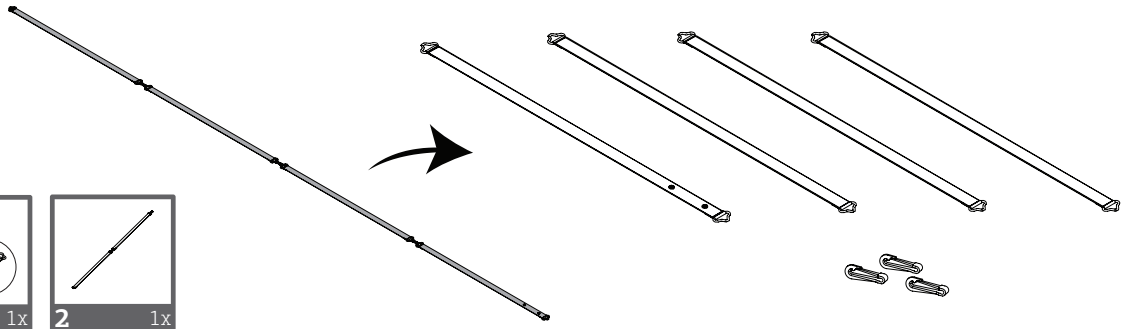


15

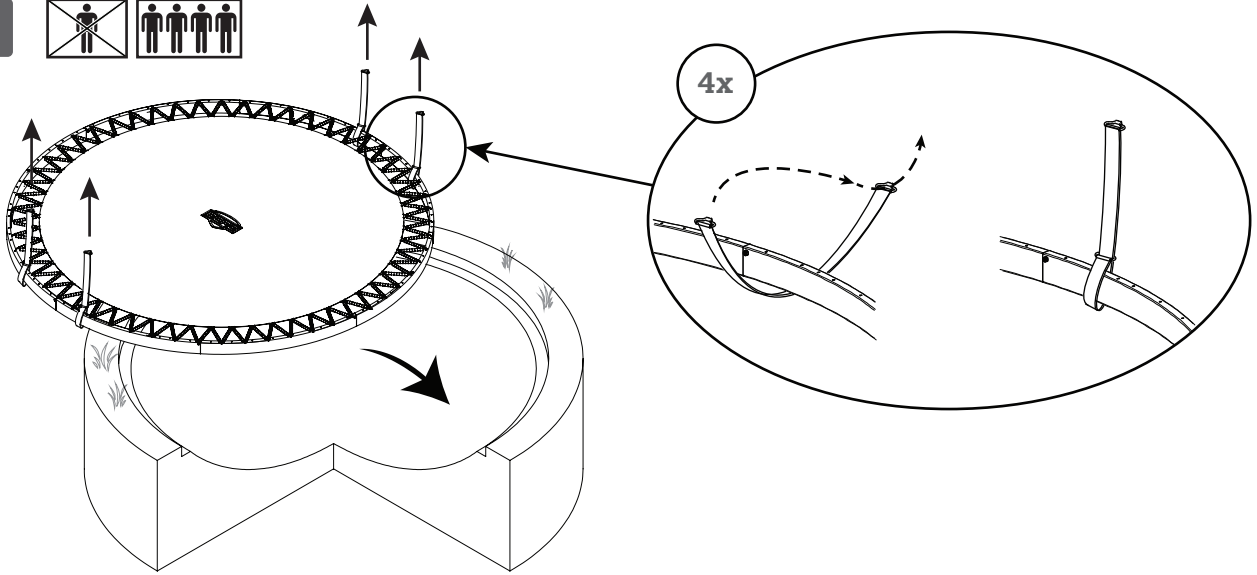
1x



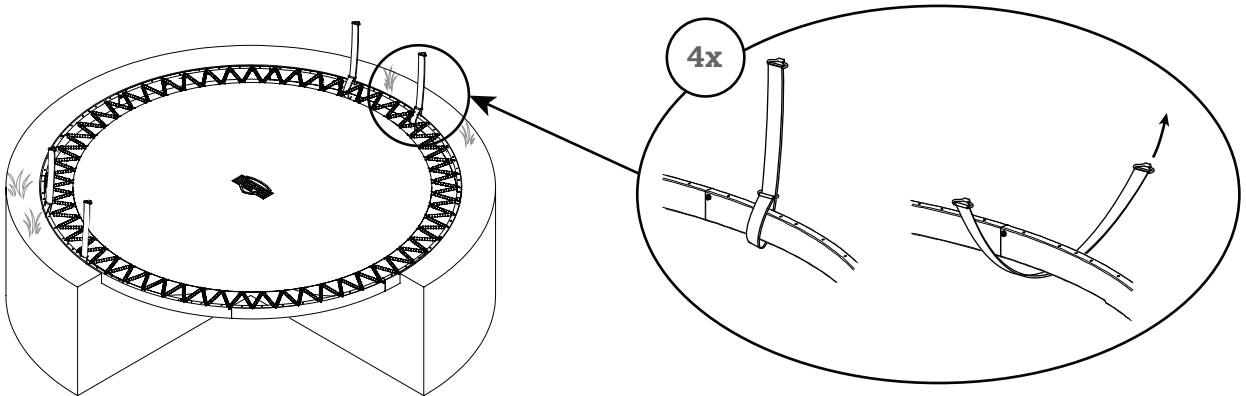
7



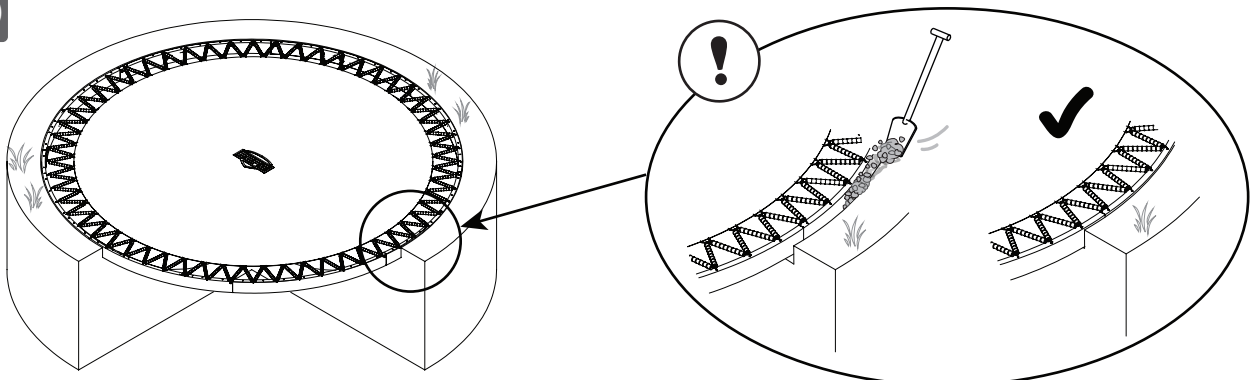
8



9

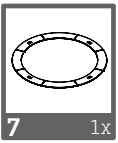
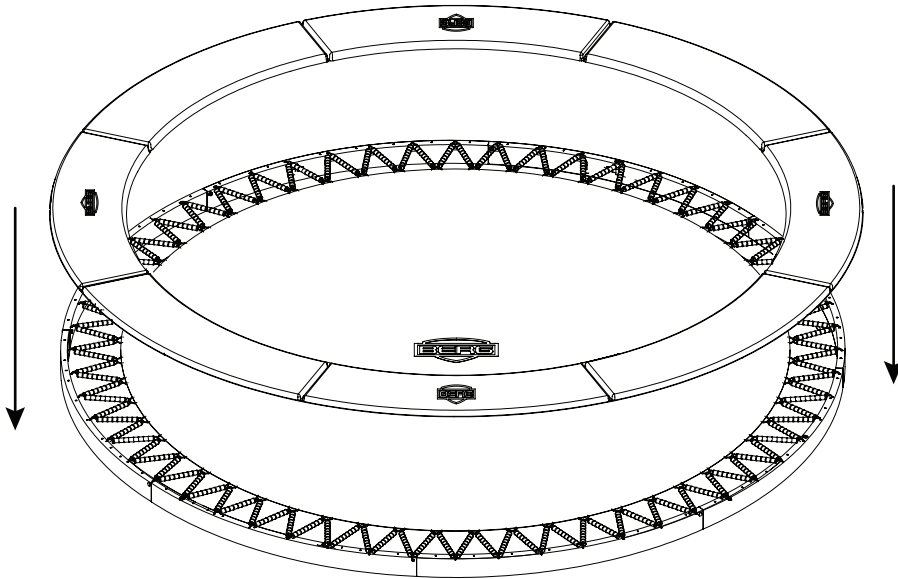


10

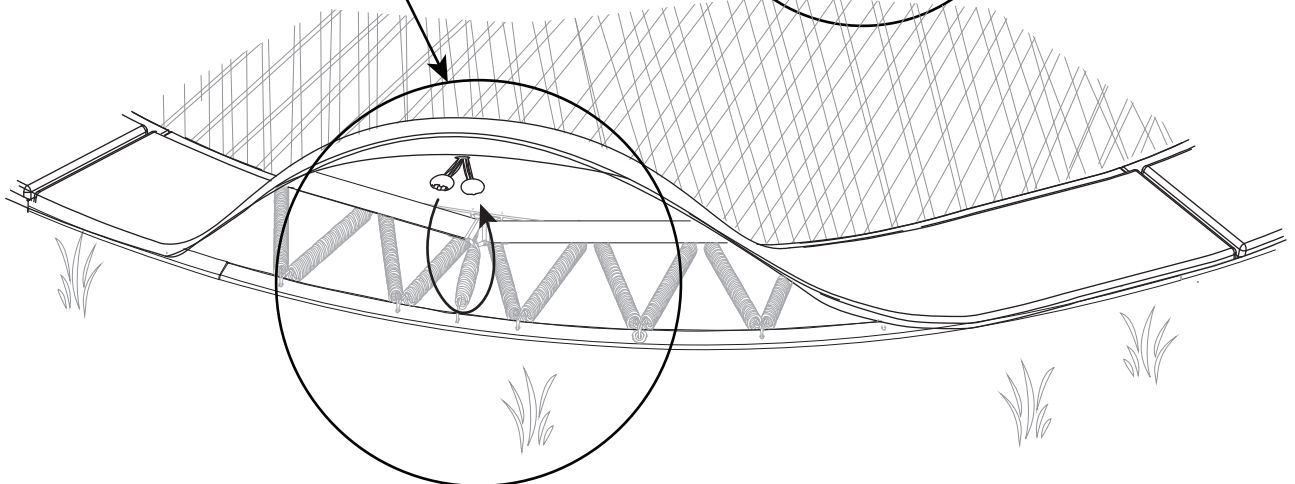
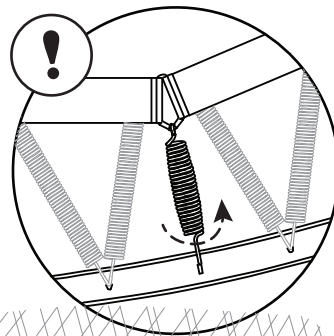
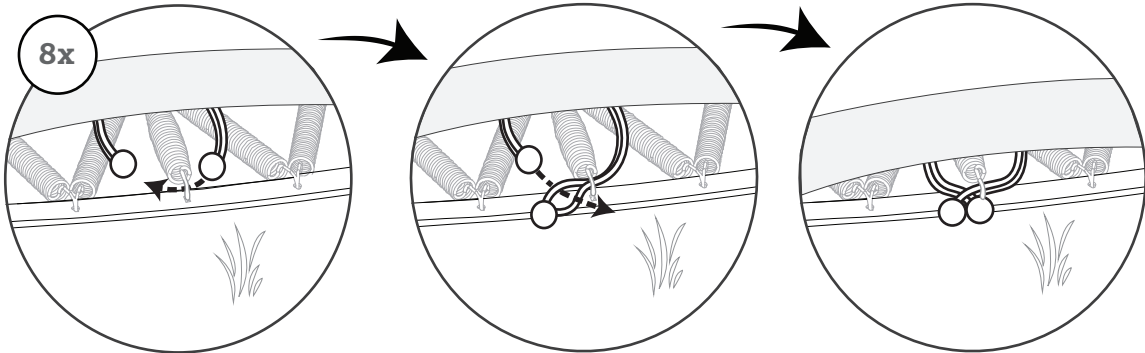




11

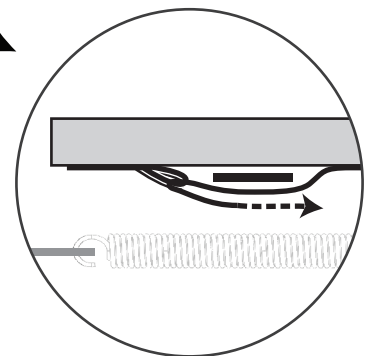
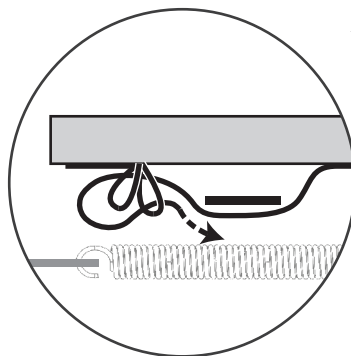
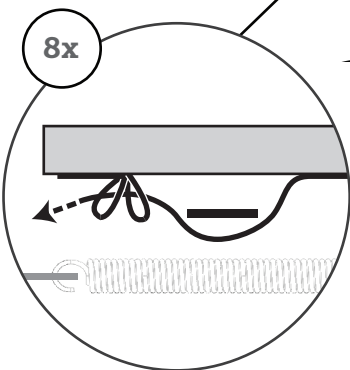
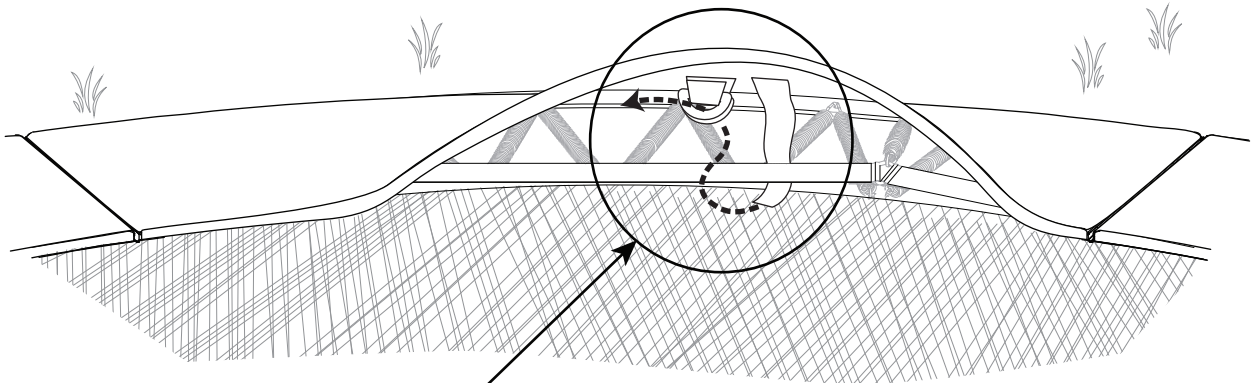
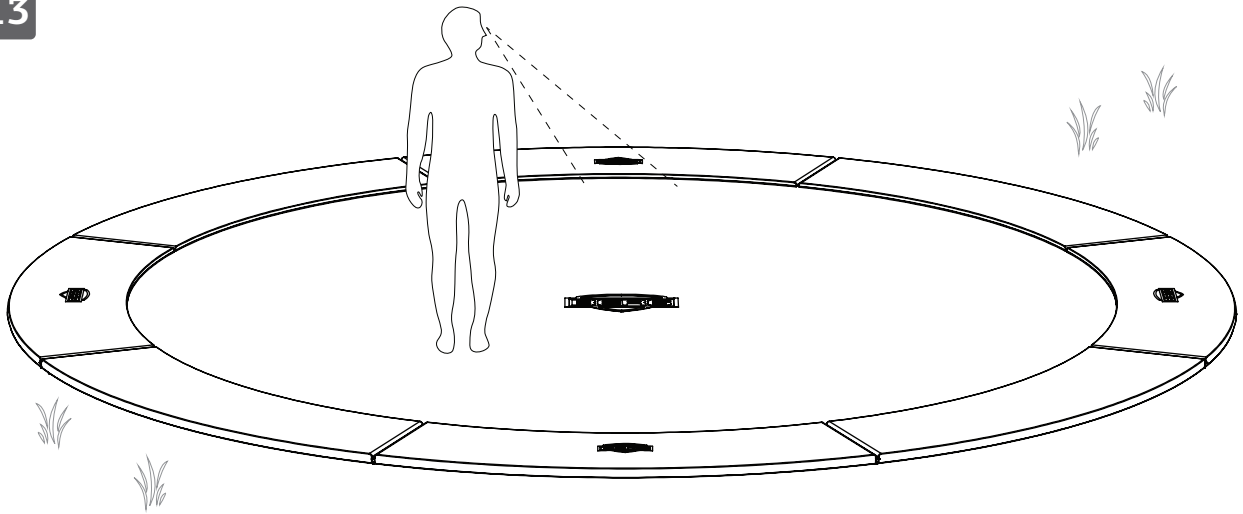


12





13



Index

1. Introduction
2. Warnings
3. Information
4. Product description
5. Jumping instructions
 - 5.1 Before you start jumping
 - 5.2 Jumping instructions
 - 5.3 Basic jumps
6. Assembly and maintenance instructions
 - 6.1 Assembly
 - 6.2 Maintenance instructions
 - 6.3 Disassembly
 - 6.4 Repairs
7. Warranty
 - 7.1 Warranty period
 - 7.2 Warranty conditions

1. Introduction

Trampoline usage encourages active and healthy play. It has a positive impact on stress, physical condition and blood circulation. Trampoline jumping is for the young and young at heart!

Thank you for choosing BERG as your trampoline purchase of choice. We are confident you will get many years of beneficial use and jumping pleasure.

This manual provides tips about assembly, safe use and jumping instructions for many years of trouble-free use. Jumping on a trampoline is not dangerous as long as you follow the safety instructions.

Read the instructions carefully and store for future reference.

BERG wishes you a fun and active jumping experience!

2. Warnings

- The weight of the user may not exceed:

330 (11ft)	380 (12,5ft)	430 (14ft)
100kg	110kg	120kg

- The BERG trampoline is not recommended for use by children under 6 years of age.
- Not suitable for children under 36 months. Fall hazard.
- Not suitable for children under 36 months. Choking hazard, small parts.
- Adult assembly required.
- The BERG trampoline is for outdoor use only.
- Read instructions thoroughly and store for future reference.
- The trampoline should be assembled in accordance to the assembly instructions. BERG recommends reviewing final assembly prior to usage.
- Only one user. Collision hazard. Use by multiple persons can cause serious injury.
- Jump without shoes.
- Do not use the mat when it is wet.
- Empty pockets and hands before jumping.
- Always jump in the middle of the mat.
- Do not eat while jumping.
- Do not exit by a jump.
- Limit the time of continuous usage (make regular stops).
- Do not use in strong wind conditions and secure the trampoline.
- No somersaults. Landing on the head or neck can cause serious injury, even when landing in the middle of the bed.
- Adult supervision required.
- Usage of BERG trampoline while under the influence of alcohol or drugs is prohibited.
- Objects, animals or persons are prohibited underneath the BERG trampoline.

3. Information

- BERG product to be used as defined in manual. Usage that deviates from manual instruction may potentially lead to serious injury or damage of product. Read all instructions prior to trampoline usage. To ensure safe and enjoyable usage of the BERG trampoline, warnings, instructions for care and maintenance are included.
- Should the trampoline require movement to another current location (short distance), disassemble the anchors (if any) first prior to relocation. It is recommended the trampoline be lifted via the top rails by 3 adults. Should the trampoline require relocation over a greater distance, it is recommended to disassemble the trampoline parts, re-pack in the original packaging and assemble again at the new location.
- Ensure that the BERG trampoline is level after installation.
- Ensure a minimum clearance of at least 2 meters from trees, fences and any other surrounding obstacles.
- It is required to have a minimum overhead clearance of 7 meters measured from the surface on which the trampoline is standing.
- For safety reasons, unless BERG-approved, modifications or changes to the trampoline is prohibited. Repairs must be carried out by a professional. Please consult your BERG dealer.

4. Product description

- The frame of the BERG Trampoline is galvanized and powder coated to protect against corrosion.
- To ensure many years of enjoyment, The BERG trampoline is manufactured using high-quality materials-only. Proper maintenance and care promotes a long lifespan and injury prevention.

5. Jumping instructions

5.1 Before you start jumping

- Objects, animals or persons are prohibited underneath the BERG trampoline.
- Only use the BERG trampoline when it is clean and dry.
- Objects and other obstacles that can interfere with jumping should be prohibited from the jumping area.

5.2 Jumping instructions

- Proper movement while using the BERG trampoline requires good posture. Correct posture and balance are achieved by tensing the muscles.
- Good posture ensures safe usage of the BERG trampoline. When jumping, the body is exposed to shocks that require correct absorption. By tensing your muscles, you obtain better control over your balance and this results in more the jumping resilience. In contrast, a more relaxed posture leads to loss of energy and jumping resilience. Begin with the basic jumps and jumping positions and only increase complexity when mastered. To come to a stop position when jumping, bend knees when your feet touch the mat.
- Always jump in the middle of the mat. Avoid jumping on mat edge and trampoline padding.
- To come to a stop position when jumping, bend and flex knees when your feet touch the mat. Learn this skill before attempting others.
- Learn fundamental bounces and body positions thoroughly before trying more advanced skills. A variety of jumping techniques can be carried out solo or in series and/or combinations between bounces.
- Avoid bouncing too high. First obtain jumping control with proper landing position in middle of mat. From a safety perspective, control is more important than height.
- To ensure and maintain control while jumping, ensure jumping posture is straight, head is in upright position and eyes are focused on the jump mat.

5.3 Some basic jumps

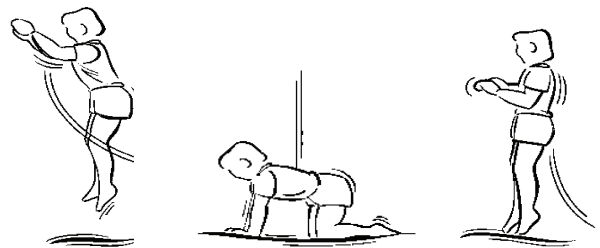
Basic bounce

Upright position, head held in upright position. Eyes focused on the jump mat. While jumping upwards, swing arms forward and in circular motion and point your toes downwards. Keep feet positioned together, toes pointed downwards when returning back to the jump mat. When landing on the jump mat, keep your feet approximately 40cm apart.



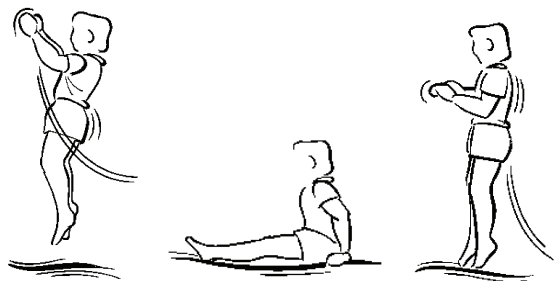
Hands and knees bounce

Commence with basic bounce. Keep eyes focused on jump mat. Swing arms forward and in circular motion. Land on hands and knees. Push off with hands and return to upright position.



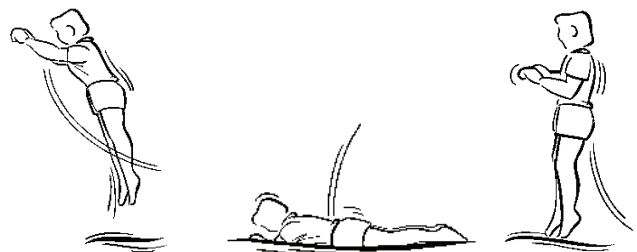
Seat drop

Commence with basic bounce. Keep eyes focused on jump mat. Land in sitting position. Place hands next to hips on jump mat when in sitting position. Push off with hands en return to upright position.



Front bounce

Commence with basic bounce and land on your stomach. Keep head straight. Keep arms extended forward on the jump mat. Push off with hands and return to upright position.



Back drop

Commence with basic bounce and land on your back. Keep chin pressed against your chest during landing. Kick forward and up with legs when returning to a standing position.



6. Assembly and maintenance instructions

6.1 Assembly

- Do not install the trampoline in extreme windy conditions. Wait until wind subsides.
- Gloves are recommended to be worn while installing the BERG trampoline.
- Ensure the BERG trampoline is level after installation. A bubble level is recommended to help qualify.
- The trampoline should be assembled by an adult in accordance to the assembly instructions. BERG recommends reviewing final assembly prior to usage.
- Assembling of the trampoline comprises of fasteners and fittings with self-locking nuts. These self-locking nuts are for single use only. When disassembling and reassembling, the self-locking nuts must be replaced.
- Location: Find a suitable place for the installation of the trampoline ensuring there are no surrounding obstacles. Verify soil condition and characteristics of designated location to determine installation suitability.
- While digging the hole, soil should be firm to avoid collapsing due to erosion. If necessary, strengthen the sides of the hole or make them smooth to prevent this.
- Should the soil hinder digging a hole, best to choose another location or consult a professional excavation company to provide consultation.
- The dug hole should not contain water.
- Verify if a high ground-water level does not contribute to a collection of water in the hole. In addition, verify there is adequate drainage to dispose rain water.
- As per the diagram in the installation manual, use the included tape measure (located in the packaging) to measure and determine the correct diameter, depth and shape of the dug hole.
- Ensure the shape and dimensions of the hole reflect as specified in the installation manual.
- Ensure the frame is deemed level in relation to the ground.
- For installation instructions, refer to page 4.
- For additional trampoline information, contact the manufacturer.
- Install accessories according to the installation manual /guide.

6.2 Maintenance instructions

As described in the assembly manual, inspect the BERG trampoline before each usage and replace broken, worn or missing parts. Ignoring inspections and neglecting maintenance can lead to dangerous situations and unnecessary risks for the user.

Inspect the hole underneath the trampoline periodically. (Minimum once per year) and if required, take corrective measures. As specified in the installation manual, inspect the hole for:

- Proper depth.
- Proper shape.
- Frame stability and uniformity.
- Unwanted objects.

After a rainy period and prior to usage, inspect the trampoline hole. Ensure there is adequate drainage to dispose of rain water.

Should the trampoline hole require maintenance, the trampoline must first be removed in its entirety. The straps as included in the box are required to facilitate removal. Refer to installation manual. Strap installation may require some digging to properly position for trampoline removal. It is recommended to have a minimum of 3 adults to remove the trampoline. Once maintenance has been completed, return to original location ensuring the trampoline is level in relation to the ground.

Should the trampoline be removed and placed in an alternative area not close to original location, disassemble and place in original packaging. Re-assemble in accordance to the assembly and installation instructions.

Pay attention to the following:

- The condition of frame joints. (Eg. Broken welds or bent frame).
- The condition of the springs (damaged or excessive stretching) and attachment of the springs to the frame and jumping mat. Springs and suspension springs are subject to wear and tear. Replace worn parts when required.
- Check bolt connections to ensure tightness, tightening when when required. Check the (push pins) connectors to ensure they will not become dislodged while jumping.
- The condition of the jump mat (damage, incorrect tension or sagging of the mat) The jump mat wears with use and exposure to sunlight (UV radiation). Replace the jump mat in a timely manner when the condition worsened.
- Missing, improperly positioned, or insecurely attached protective padding.
- Incorrect stitching, ruffling, tears or holes in jump mat or protective padding.
- Deterioration in the stitching or fabric of the mat or protective padding.
- Check for sharp edges and frame protrusions.
- The use of fertilisers (artificial fertiliser, fertiliser pellets, etc.) within a radius of 2 metres around the BERG trampoline is prohibited. Using such products can cause components to rust.
- The jump mat and padding can be cleaned with a cloth and cold water. NEVER use solvents, dishwashing liquid, detergent or hot water.

6.3 Disassembly

- Assembling of the trampoline contains fasteners and fittings with self-locking nuts. These self-locking nuts are for single use only. When disassembling and reassembling, the self-locking nuts must be replaced.

6.4 Repairs

Contact our BERG authorized dealers for ordering original parts for the BERG trampoline.

7. Warranty

7.1 Warranty period

- BERG trampolines are of excellent quality. To provide you with years of carefree fun on our trampolines, BERG offers you a functionality warranty. A functionality warranty is a warranty regarding its functional use. Please consult the table below for the term of this warranty (years).

Frame	10
Frame (<i>after product registration</i>)	13 (<i>10+3</i>)
Padding (Champion)	2
Padding (Elite)	5
Jump mat	2
Springs	5
Safety Net	2

- With exception to the 1 year warranty of the BERG weather cover basic, the BERG safety nets and accessories are subject to a warranty period of 2 years. Parts that are susceptible to wear and tear (eg. elastics), the influences of weather (eg. rust and discolouration) and the foam on the BERG safety net tubes are excluded from warranty.

7.2 Warranty conditions

The owner of the product can only claim warranty by presenting the original receipt of purchase. The warranty applies only to material and manufacturing defects related to the BERG product and related parts.

The warranty becomes nul and void if:

- The product is used improperly and / or negligently.
- The product is not assembled and maintained in accordance with the instruction manual.
- Technical repairs made to the product are not carried out in a professional manner.
- Replacement parts do not correspond to the technical specifications of the product in question or are installed incorrectly.
- Damage caused by the influences of weather such as rust, UV rays or normal wear and tear.
- Improper burial of the BERG Trampoline.
- The product is used for rental purposes or made available for usage by a 3rd party.
- During the warranty period, all material and construction assessed faults will be repaired or replaced by BERG. Repairs handled at no cost is applicable provided the product is still within its warranty period as stated in article 7.1.
- BERG warranty can only be honored if inspected by a BERG authorized dealer.
- BERG warranty can only be honored if the original proof of purchase is rendered to the BERG authorized dealer. Should the owner have re-located or the BERG dealer is no longer operational, BERG can recommend an alternative BERG dealership.
- If the warranty claim is not honored, all costs incurred must be paid by the owner.
- This warranty is not transferable to third parties.



Product registration

Would you like free supplementary guarantee?*

Don't forget to register your product online immediately!

Go to **www.bergtoys.com/registration**.

This product registration entitles you to 3 years extended warranty on the frame of your go-kart or trampoline.

This extended warranty is in addition to the standard warranty on the frame that you receive.

*For the conditions, please visit www.bergtoys.com/registration



www.bergtoys.com/registration

Index

1. Introductie
2. Waarschuwingen
3. Informatie
4. Product beschrijving
5. Spring instructies
 - 5.1 Voordat u begint met springen
 - 5.2 Spring instructies
 - 5.3 Basissprongen
6. Montage en onderhoudsinstructies
 - 6.1 Montage
 - 6.2 Onderhoudsinstructies
 - 6.3 Demontage
 - 6.4 Reparaties
7. Garantie
 - 7.1 Garantie termijn
 - 7.2 Garantie regeling

1. Introductie

Trampoline springen is leuk en gezond. Het werkt stressverlagend, verbetert de conditie en de bloedsomloop. Trampoline springen is voor jong en oud.

Bedankt voor het kiezen van een BERG trampoline. Wij zijn ervan overtuigd dat u vele jaren nuttig gebruik en springplezier zal hebben.

Voor jarenlang probleemloos gebruik vindt u in deze handleiding tips voor montage, veiligheid, onderhoud en springinstructies. Trampoline springen is niet gevaarlijk zolang deze tips en instructies worden opgevolgd.

Lees de gebruiksaanwijzing, en bewaar deze voor de toekomst.

BERG wenst u heel veel springplezier!

2. Waarschuwingen

- Het gewicht van de gebruiker mag nooit deze waarde overschrijden:

330 (11ft)	380 (12,5ft)	430 (14ft)
100kg	110kg	120kg

- De BERG trampoline wordt niet aanbevolen voor gebruik door kinderen jonger dan 6 jaar.
- Niet geschikt voor kinderen jonger dan 36 maanden. Valgevaar.
- Niet geschikt voor kinderen jonger dan 36 maanden. Verstikkingsgevaar, kleine onderdelen.
- Assemblage door een volwassene.
- De BERG trampoline is alleen bestemd voor buitengebruik.
- Lees de gebruiksaanwijzing, en bewaar deze voor de toekomst.
- De trampoline moet volgens de montage-instructies in elkaar gezet worden door een volwassene en vóór het eerste gebruik gecontroleerd worden.
- Eén gebruiker tegelijk. Risico op botsen. Gebruik door meerdere personen tegelijkertijd kan ernstig letsel veroorzaken.
- Spring zonder schoenen.
- Niet gebruiken indien de mat nat is.
- Voor het springen handen en zakken leegmaken.
- Spring altijd in het midden van het springdoek.
- Niet eten tijdens het springen.
- Verlaat de trampoline niet met een sprong.
- Niet langdurig gebruiken, beperk de tijd (stop regelmatig).
- Niet gebruiken bij sterke wind en zet de trampoline vast.
- Geen salto's. Een landing op het hoofd of nek kan, zelfs in het midden van het springdoek, leiden tot ernstig letsel.
- Toezicht door volwassene vereist.
- Gebruik de BERG trampoline nooit wanneer u onder invloed van alcohol of drugs bent.
- Objecten, dieren en personen zijn verboden onder de BERG trampoline.

3. Informatie

- Gebruik het BERG product alleen zoals beschreven in de manual. Afwijkend gebruik kan resulteren in ernstige verwondingen bij de gebruiker en beschadigingen aanrichten aan het product. Lees alle instructies voor het gebruik van de trampoline. Om veilig en prettig gebruik te maken van de BERG trampoline zijn waarschuwingen, instructies voor onderhoud en gebruik van de trampoline in deze manual beschreven.
- Als de trampoline verplaatst moet worden, wegens onderhoud van de huidige locatie of om andere redenen, verwijder de ankers (indien aanwezig) en verplaats de trampoline naar de nieuwe locatie. Til de trampoline met drie volwassen aan de bovenste rails van het frame. Als de trampoline verplaatst moet worden over een grotere afstand, demonteer de trampoline, leg de delen in de originele verpakking en monteer de trampoline op de nieuwe locatie.
- Zorg ervoor dat de BERG trampoline na installatie, waterpas staat.
- Er moet een vrije ruimte van minimaal 2 meter rondom de trampoline zijn, vrij van bomen, hekwerken en ander opstakels.
- Boven de trampoline moet minimaal 7 meter vrije ruimte zijn gemeten vanaf de ondergrond waarop de trampoline staat.
- Om veiligheidsredenen zijn wijzigingen of veranderingen aan de trampoline niet toegestaan. Alleen veranderingen die zijn afgestemd met, of overeenkomstig aanwijzingen van BERG, zijn toegestaan. Reparaties moeten professioneel worden uitgevoerd. Neem hiervoor contact op met uw BERG dealer.

4. Productbeschrijving

- Het frame van de BERG Trampoline is verzinkt en gepoedercoat om het tegen corrosie te beschermen.
- De BERG trampoline is gemaakt van hoogwaardige materialen en bedoeld om er vele jaren plezier aan te beleven. Een juist onderhoud en goede verzorging zorgen voor een lange levensduur en helpen letsel te voorkomen.

5. Spring instructies

5.1 Voordat u begint met springen

- Objecten, dieren en personen zijn verboden onder de BERG trampoline.
- Gebruik de BERG trampoline alleen wanneer deze schoon en droog is.
- Houd voorwerpen en obstakels die in aanraking kunnen komen met de gebruiker uit de buurt van trampoline.

5.2 Spring instructies

- Spring niet op of van de trampoline af.
- Bij gebruik van de BERG trampoline is het een vereiste een juiste houding aan te nemen. De juiste houding en balans worden verkregen door het aanspannen van de spieren en maakt het mogelijk om veilig trampoline te kunnen springen.
- Tijdens het springen wordt het lichaam blootgesteld aan schokken die op een correcte manier moeten worden opgevangen. Wanneer u uw spieren aanspant verkrijgt u een betere controle over uw evenwicht en de spring- en veerkracht van het lichaam neemt toe. Een meer ontspannen houding leidt tot verlies aan energie en de spring- en veerkracht van het lichaam neemt af. Begin met de basis sprongen en probeer geen ingewikkelde sprongen voordat u de basissprongen beheerst. Om te stoppen met springen dient u uw knieën in te trekken wanneer uw voeten met het springdoek in contact komen.
- Spring niet op de rand van het springdoek en niet op de afdekrand van het frame. Spring alleen in het midden van het springdoek.
- Stoppen met springen bereikt u door uw knieën te buigen wanneer uw voeten in contact komen met het springdoek van de trampoline. Leer deze vaardigheid voordat u andere vaardigheden gaat oefenen.
- Samengestelde trampoline oefeningen kunnen uitgevoerd worden door het combineren van verschillende, enkelvoudige sprongen of met basisprongen hier tussen.
- Spring niet te hoog. Controle over het springen is belangrijker dan hoog springen. Blijf laag springen tot de sprong onder controle is en er herhaaldelijk in het midden van het springdoek kan worden geland.
- Sta rechtop en houd het hoofd recht. Houd de ogen op het springdoek gericht. Hiermee behoudt u controle over de sprong.

5.3 Enkele basissprongen

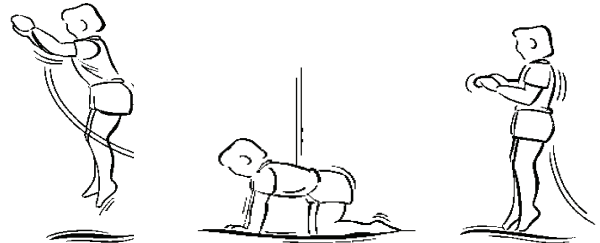
Basissprong

Sta rechtop en houd het hoofd recht. Houd de ogen op het springdoek gericht. Zwaai de armen vooruit en omhoog in een cirkelvormige beweging. Houd de voeten bij elkaar en richt de tenen tijdens het springen naar beneden. Houd de voeten bij het landen ongeveer veertig cm uit elkaar.



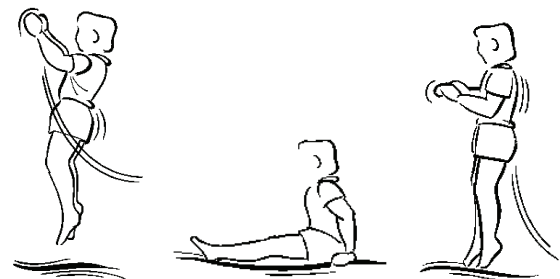
Hand en kniesprong

Start met de basissprong. Houd de ogen op het springdoek gericht. Zwaai de armen vooruit en omhoog in een cirkelvormige beweging. Land op handen en knieën. Duw af met de handen en kom in rechte houding overeind.



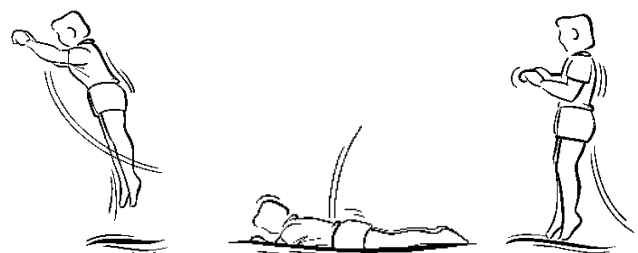
Zitsprong

Start met de basissprong. Houd de ogen op het springdoek gericht. Land in zithouding. Plaats de handen naast de heupen op het springdoek. Duw af met de handen en kom in rechte houding overeind.



Buiksprong

Start met de basissprong en kom neer op de buik. Houd het hoofd recht. Houd de armen voor het hoofd op het springdoek. Duw af met de armen om recht terug te komen.



Rugsprong

Start met de basissprong en kom neer op de rug. Houd tijdens het neerkomen de kin tegen de borst geklemd. Sla de benen vooruit en omhoog wanneer u recht overeind komt.



6. Montage- en onderhoudsinstructies

6.1 Montage

- Installeer de trampoline niet bij harde wind, wacht tot deze is gaan liggen.
- Bij de installatie van de producten raden wij het dragen van werkhandschoenen aan.
- Zorg ervoor dat de BERG trampoline waterpas staat. Een waterpas kan nuttig zijn.
- De trampoline moet volgens de montage-instructies in elkaar gezet worden door een volwassene en vóór het eerste gebruik gecontroleerd worden.
- De montage van de trampoline bevat bevestigingen met zelfborgende moeren. Deze zelfborgende moeren zijn uitsluitend voor éénmalig gebruik. Bij demontage en opnieuw monteren, moeten deze zelfborgende moeren worden vervangen.
- Locatie: Zoek een geschikte plek voor de installatie van de trampoline. Controleer de vrije ruimte, de conditie en eigenschappen van de bodem en bepaal zo de locatie.
- De grond moet stevig zijn om te voorkomen dat het te graven gat zal instorten als gevolg van snel eroderen van de bodem. Indien nodig, versterk de zijkanten van het gat of maak ze glad om dit te voorkomen.
- Als grond te hard is om te graven, dan kan er beter een andere locatie gekozen worden, of neem contact op met een professioneel grondbedrijf.
- Verifieer of een hoog grondwaterpeil het gat niet vol laat lopen met water.
- Controleer of er voldoende afwatering of drainage is om regenwater af te voeren. In het gegraven gat mag geen water blijven staan.
- Gebruik het meegeleverde meetlint om de afmeting van het te graven gat te bepalen, diameter, diepte en vorm. Raadpleeg hiervoor de gevisualiseerde afbeelding in de installatie handleiding.
- Zorg dat het gat de vorm, én de afmetingen heeft zoals aangegeven in de installatie handleiding.
- Zorg dat het frame waterpas ligt op de grond.
- Instructies voor fysieke installatie, zie pagina 4 en verder.
- Neem contact op met de fabrikant voor meer informatie over de trampoline.
- Monteer accessoires volgens de bijgeleverde montage instructies.

6.2 Onderhoudsinstructies

Inspecteer de BERG trampoline voor elk gebruik aan de hand van de montagehandleiding en vervang defecte, versleten of ontbrekende onderdelen. Het negeren van deze inspecties en de verwaarlozing van onderhoud kan leiden tot gevaarlijke situaties en onnodige risico's voor de gebruiker.

Inspecteer het gat onder de trampoline regelmatig. (minimaal 1x per jaar) en neem corrigerende maatregelen indien nodig. Zoals aangegeven in de installatie handleiding, controleer het gat op:

- Juiste diepte
- juiste vorm
- Stabiliteit van het frame en of de trampoline nog waterpas staat.
- Objecten en verwijder deze

Inspecteer het gat onder de trampoline na een periode van regen. Zorg voor goed drainage voor de afvoer van water.

Als de trampoline verplaatst moet worden, wegens onderhoud van het gat, zult u de trampoline uit het gat moeten halen. Hiervoor moet u zorgen dat u de meegeleverde banden (zoals staat in de installatie handleiding) onder het frame door kunt halen. Het kan zijn dat u hiervoor wat moet graven. Til dan de trampoline met drie volwassenen uit het gat. Zodra het onderhoud aan het gat voltooid is kunt u de trampoline weer terug op zijn plaatsen. Controleer of het frame waterpas staat.

Als de trampoline verplaatst moet worden over een grotere afstand, demonteer de trampoline, leg de delen in de originele verpakking en monteer de trampoline op de nieuwe locatie volgens de assemblage en installatie instructies.

Let hierbij op het volgende:

- De conditie van de verbindingen van het frame (gebroken lassen of gebogen frame).
- De conditie van de veren (gebroken of overmatige strekking) en de bevestiging van de veren aan het frame en springdoek. De veren en de ophanging van veren zijn onderhevig aan slijtage, vervang tijdig versleten onderdelen.
- Controleer of de boutverbindingen vast zitten en zet deze eventueel opnieuw vast. Controleer de borging van verbindingen (drukpinnen) of deze niet losraken tijdens het springen.
- De conditie van het springdoek (beschadigingen, onjuiste spanning of doorzakken van de mat). Het springdoek slijt door gebruik en door blootstelling aan zonlicht (UV straling). Vervang het springdoek tijdig wanneer de conditie verslechterd.
- De conditie van de beschermand en bevestiging van de beschermand op het frame. Vervang een defecte beschermand.
- Verkeerde stiksels, rafels, scheuren of gaten in het springdoek of afdekrand van het frame.
- Verslechtering van de stiksels of weefsel van het springdoek of afdekrand van het frame.
- Controleer het frame op scherpe randen en uitsteeksels.
- Het gebruik van meststoffen (kunstmest, mestkorrels, etc.) is niet toegestaan in een straal van 2 meter rond de BERG trampoline. Het gebruik van dergelijke producten kan schadelijk zijn voor het materiaal van de trampoline.
- U kunt het springdoek en de afdekrand van het frame reinigen met een doek en koud water. Gebruik in geen geval oplosmiddelen, afwasmiddel, zeepoeder of heet water.

6.3 Demontage

- De montage van de trampoline bevat bevestigingen met zelfborgende moeren. Deze zelfborgende moeren zijn uitsluitend voor éénmalig gebruik. Bij demontage en opnieuw monteren, moeten deze zelfborgende moeren worden vervangen.

6.4 Reparaties

Voor het bestellen van originele BERG trampoline onderdelen verwijzen we u naar uw dealer.

7. Garantie

7.1 Garantie termijn

- BERG Trampolines zijn van uitstekende kwaliteit. Om u jarenlang onbezorgd speelplezier te bieden op onze trampolines biedt BERG functie garantie. Functie garantie is de garantie op het functionele gebruik van de trampoline. Voor de duur van deze garantie zie onderstaande tabel (jaren).

Frame	10
Frame (<i>na product registratie</i>)	13 (<i>10+3</i>)
Beschermrand (Champion)	2
Beschermrand (Elite)	5
Springdoek	2
Veren	5
Safety Net	2

- Op de safety netten en accessoires geldt een garantietermijn van 2 jaar met uitzondering van de afdekhoes basic, daar geldt een garantie termijn van 1 jaar. Slijtagegevoelige onderdelen (bijv. Elastieken), weersinvloeden als roest en verkleuring en het schuim op de palen van de safety netten zijn uitgesloten van garantie.

7.2 Garantie regeling

De eigenaar van het product kan slechts aanspraak maken op de garantie door de originele aankoopnota aan te bieden. De garantie geldt alleen voor materiaal- en constructiefouten met betrekking tot dit product en diens onderdelen.

De garantie vervalt wanneer:

- Dit product onjuist en/of onzorgvuldig gebruikt is.
- Dit product niet conform het instructieboekje geassembleerd en onderhouden is.
- Technische reparaties aan dit product niet op vakkundige wijze verricht zijn.
- Naderhand gemonteerde onderdelen gebruikt zijn die niet overeen komen met de technische specificaties van het betreffende product, of onjuist gemonteerd zijn.
- Gebreken ontstaan als gevolg van klimatologische invloeden, zoals roest of normale verwerking door o.a. UV-straling.
- Incorrect ingraven van de BERG Trampoline
- Het product wordt gebruikt voor verhuur of op andere wijze aan meerdere ongespecificeerde personen ter beschikking staat.
- Gedurende de garantietermijn zullen alle door BERG vastgestelde materiaal- of constructiefouten ter keuze van BERG worden gerepareerd, dan wel worden vervangen. Reparatie, op kosten van BERG, is alleen mogelijk wanneer de garantietermijn vermeld in 7.1 nog aan de gang is.
- De garantie kan alleen worden ingeroepen door de eigenaar van de BERG trampoline door het product te laten inspecteren door een BERG-dealer.
- De eigenaar van dit product kan slechts aanspraak maken op de garantie door het product ter inspectie aan te bieden bij een BERG dealer. Gelijktijdig dient het originele aankoopnota aan de dealer te worden overhandigd. Indien de eigenaar is verhuisd of de dealer niet meer beschikbaar is, zal BERG desgevraagd opgaaf doen van de dichtstbijzijnde BERG dealer.
- Indien de garantieaanvraag afgewezen wordt, zijn alle gemaakte kosten voor rekening van de eigenaar.
- Deze garantie is niet overdraagbaar aan derden.



Product registration

Wil je extra gratis garantie?*

Vergeet je product dan niet na aankoop direct online te registreren via **www.bergtoys.com/nl/registration**.

Met deze productregistratie ontvang je 3 jaar extra garantie op het frame van je skelter of trampoline.

Deze extra garantie komt bovenop de standaard garantie op het frame die je krijgt.

*Bekijk de voorwaarden op www.bergtoys.com/nl/registration



www.bergtoys.com/registration

Index

1. Einleitung
2. Warnungen
3. Informationen
4. Produktbeschreibung
5. Sprung-Anweisungen
 - 5.1 Vor dem Start
 - 5.2 Sprung-Anweisungen
 - 5.3 Basis Sprünge
6. Montage und Wartung
 - 6.1 Montage
 - 6.2 Wartungsanleitungen
 - 6.3 Demontage
 - 6.4 Reparaturen
7. Garantie
 - 7.1 Garantiezeit
 - 7.2 Garantiebestimmungen

1. Einleitung

Trampolinspringen macht Spaß und ist gesund. Es ist nicht nur eine angenehme Beschäftigung sondern verringert auch Stress, verbessert die Kondition und die Blutzirkulation. Trampolinspringen ist geeignet für Jung und Alt.

Wir hoffen, dass auch Sie viel Spaß mit Ihrem Trampolin haben und bedanken uns für den Kauf des BERG Trampolins.

Um Ihr Trampolin jahrelang problemlos benutzen zu können, finden Sie in dieser Gebrauchsanleitung Tipps zur Montage, Sicherheit, Wartung und Sprunginstruktionen.

Trampolinspringen ist nicht gefährlich, solange diese Tipps und Anweisungen befolgt werden. Gebrauchsanleitung lesen und für eventuelles Nachschlagen aufbewahren.

BERG wünscht Ihnen viel Spaß beim Springen!

2. Warnungen

- Das maximal zulässige Gewicht des Benutzers beträgt:

330 (11ft)	380 (12,5ft)	430 (14ft)
100kg	110kg	120kg

- Das BERG-Trampolin wird nicht für Kinder unter 6 Jahren empfohlen.
- Nicht für Kinder unter 36 Monaten geeignet.. Absturzgefahr.
- Nicht für Kinder unter 36 Monaten geeignet. Erstickungsgefahr. Kleine Teile.
- Der Zusammenbau ist durch einen Erwachsenen vorzunehmen.
- Das BERG Trampolin ist nur für den Gebrauch im Freien bestimmt.
- Gebrauchsanleitung lesen und für eventuelles Nachschlagen aufbewahren.
- Das Trampolin muss durch eine erwachsene Person entsprechend den Aufbauanleitungen zusammengesetzt und anschließend vor der ersten Nutzung überprüft werden.
- Nur ein Benutzer. Kollisionsgefahr. Verwendung durch mehrere Personen kann schwere Verletzungen verursachen.
- Ohne Schuhe springen.
- Nicht benutzen, wenn die Sprungmatte nass ist.
- Vor dem Springen Taschen und Hände leeren.
- Immer in die Mitte der Sprungmatte springen
- Während des Springens nicht essen.
- Das Trampolin nicht mit einem Sprung verlassen.
- Die Dauer der ununterbrochenen Benutzung begrenzen (regelmäßige Pausen einlegen).
- Bei Starkwindbedingungen das Trampolin sichern und nicht benutzen.
- Keine Saltos schlagen. Bei einer Landung auf dem Kopf oder Genick können, auch wenn die Landung in der Mitte der Sprungmatte erfolgt, Lähmungen oder schwere Verletzungen auftreten.
- Beaufsichtigung durch einen Erwachsenen erforderlich.
- Benutzen Sie das BERG-Trampolin nicht, wenn Sie unter dem Einfluss von Alkohol, Drogen oder Medikamenten stehen.
- Es dürfen keine Personen oder Objekte unter dem BERG Trampolin sein.

3. Informationen

- Verwenden Sie Ihr Produkt von BERG ausschließlich gemäß den nachfolgenden Anweisungen. Eine unbefugte Nutzung könnte schwere Verletzungen für den Verwender und/oder Schäden am Produkt hervorrufen. Bitte lesen Sie vor der Nutzung des Trampolins sämtliche Anweisungen. Enthalten sind Warnhinweise, Anweisungen für die Pflege, die Wartung und die Nutzung dieses Trampolins, damit Sie es sicher und mit viel Spielfreude verwenden können.
- Wenn das Trampolin wegen Wartungsbedarf des aktuellen Standorts oder aus anderen Gründen bewegt werden muss, entfernen Sie die Anker (falls vorhanden) und bewegen Sie das Trampolin. Heben Sie das Trampolin mit drei Erwachsenen am oberen Rahmen an und gehen Sie zur neuen Position. Wenn das Trampolin über eine größere Strecke bewegt werden muss, zerlegen Sie das Trampolin, packen Sie die Teile in die Originalverpackung und montieren es wieder am neuen Standort.
- Stellen Sie sicher, dass das BERG-Trampolin gerade aufgestellt ist.
- Ein Freiraum von mindestens 2 Metern um das Trampolin ist obligatorisch.
- Über dem Trampolin muss ein Freiraum von 7 Metern vorhanden sein; gemessen ab dem Boden, auf dem das Trampolin steht.
- Die Durchführung von Änderungen am Trampolin ist nicht gestattet, da sich daraus ein Sicherheitsrisiko ergeben kann. Es dürfen nur Änderungen vorgenommen werden, die mit BERG abgestimmt oder von BERG empfohlen wurden. Reparaturen dürfen nur von Fachleuten ausgeführt werden. Wenden Sie sich hierzu bitte an Ihren BERG Händler.

4. Produktbeschreibung

- Het frame van de BERG Trampoline is verzinkt en gepoedercoat om het tegen corrosie te beschermen.
- Das BERG-Trampolin wird aus hochwertigen Materialien hergestellt und soll viele Jahre Freude bereiten. Eine ordnungsgemäße Wartung und gute Pflege garantieren eine lange Lebensdauer und helfen, Verletzungen zu vermeiden.

5. Sprung-Anweisungen

5.1 Vor dem Start

- Sorgen Sie dafür, dass der Bereich unter dem BERG Trampolin frei ist von Objekten und Hindernissen. Es dürfen sich keine Personen oder Tiere unter dem Trampolin befinden.
- Benutzen Sie das BERG-Trampolin ausschließlich in sauberem und trockenem Zustand.
- Halten Sie Gegenstände und Hindernisse fern, die den Benutzer behindern könnten. Sorgen Sie rund um das Trampolin für einen freien Bereich.

5.2 Sprung-Anweisungen

- Das Trampolin nicht betreten oder verlassen durch einen Sprung.
- Bei der Nutzung des BERG-Trampolins ist eine gute Körperhaltung für richtige Bewegungen erforderlich. Die richtige Körperhaltung und Balance werden durch das Anspannen der Muskeln erreicht.
- Eine gute Körperhaltung ermöglicht eine sichere Nutzung des Trampolins. Beim Springen wird der Körper Stößen ausgesetzt, die richtig abgefedert werden müssen. Durch eine Anspannung Ihrer Muskeln erhalten Sie eine bessere Kontrolle über Ihr Gleichgewicht und die Sprung- und Rückfederstärke des Körpers erhöht sich. Eine entspanntere Körperhaltung führt zu einem Verlust von Energie und die Sprung- und Rückfederstärke verringert sich. Beginnen Sie mit den elementaren Sprüngen und Sprungpositionen und probieren Sie weiter gehende Techniken nicht aus, bevor Sie diese beherrschen. Das Springen beenden Sie, indem Sie die Knie beugen, sobald Ihre Füße die Matte berühren.
- Springen Sie immer in der Mitte der Matte. Springen Sie nicht auf den Rand oder auf den Schutzrand.
- Beenden Sie Sprünge, indem Sie die Knie beugen, wenn die Füße mit der Trampolinmatte in Berührung kommen. Lernen Sie diese Technik, bevor Sie andere ausprobieren.
- Erlernen Sie die grundlegenden Sprünge und Körperpositionen sorgfältig, bevor Sie fortgeschrittenere Techniken ausprobieren. Kreieren Sie eigene Übungsreihen, indem Sie verschiedene einfache Sprünge, mit oder ohne dem einfachen Basissprung dazwischen, kombinieren.
- Springen Sie nicht zu hoch. Bleiben Sie in niedriger Höhe, bis Sie die Sprünge kontrollieren und wiederholtes Landen in der Mitte des Trampolins schaffen. Kontrolle ist wichtiger als Höhe.
- Halten Sie den Kopf aufrecht und die Augen auf die Sprungmatte gerichtet. Das hilft bei der Kontrolle der Sprünge.

5.3 Basis Sprünge

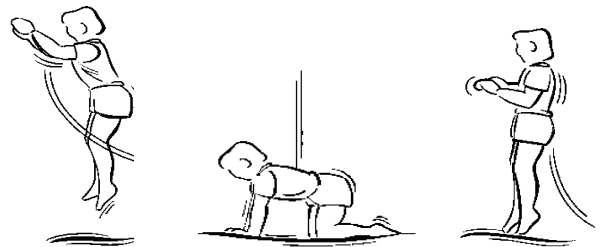
Basissprung

Stehen Sie aufrecht und halten Sie den Kopf gerade. Halten Sie die Augen auf das Sprungtuch gerichtet. Schwingen Sie die Arme in einer Kreisbewegung nach vorne und oben. Halten Sie die Füße beieinander und richten Sie die Zehenspitzen während des Springens nach unten. Halten Sie die Füße bei der Landung ungefähr vierzig Zentimeter weit auseinander.



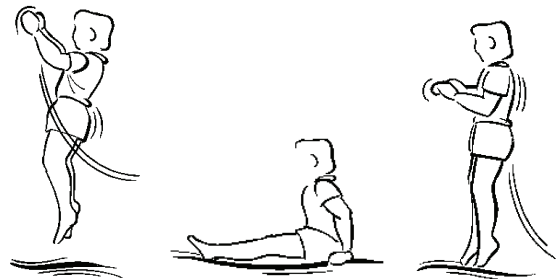
Hand- und Kniesprung

Beginnen Sie mit dem Basissprung. Richten Sie Ihren Blick auf das Sprungtuch. Schwingen Sie die Arme in einer Kreisbewegung nach vorne und oben. Landen Sie auf Händen und Knien. Stoß Sie sich mit den Händen ab und richten Sie sich in aufrechter Haltung wieder auf.



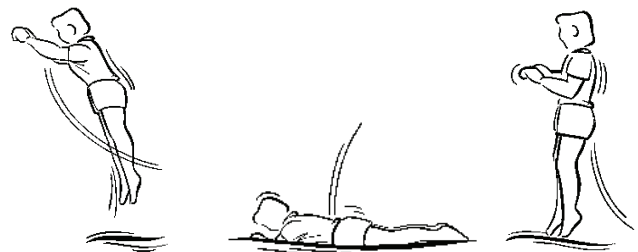
Sitzsprung

Beginnen Sie mit dem Basissprung. Richten Sie Ihren Blick auf das Sprungtuch. Landen Sie sitzend. Setzen Sie die Hände neben Ihre Hüften auf das Sprungtuch. Stoßen Sie sich mit den Händen ab und richten Sie sich in aufrechter Haltung wieder auf.



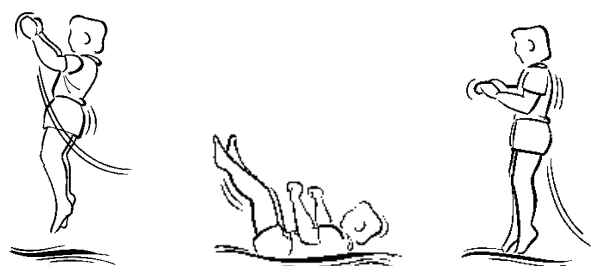
Bauchsprung

Beginnen Sie mit dem Basissprung und landen Sie auf dem Bauch. Halten Sie den Kopf gerade. Halten Sie die Arme vor den Kopf auf dem Sprungtuch. Stoßen Sie sich mit den Händen ab, um sich in aufrechter Haltung wieder aufzurichten.



Rückensprung

Beginnen Sie mit dem Basissprung und landen Sie auf dem Rücken. Drücken Sie während der Landung das Kinn gegen die Brust. Schwingen Sie die Beine vorwärts und hoch, wenn Sie sich in aufrechter Haltung wieder aufrichten.



6. Montage und Wartung

6.1 Montage

- Installieren Sie das Trampolin nicht bei starkem Wind, sondern warten Sie, bis sich dieser gelegt hat.
- Es wird empfohlen, bei der Installation der Produkte Arbeitshandschuhe zu tragen.
- Stellen Sie sicher, dass das BERG Trampolin gerade aufgestellt ist. Dazu kann eine Wasserwaage hilfreich sein.
- Das Trampolin muss durch eine erwachsene Person entsprechend den Aufbauanleitungen zusammgebaut und anschließend vor der ersten Nutzung überprüft werden.
- Bei der Montage des Trampolins werden selbstsichernde Muttern verwendet. Diese Muttern sind zum einmaligen Gebrauch bestimmt. Wenn das Trampolin nach einer Demontage erneut montiert wird, müssen die selbstsichernden Muttern ausgetauscht werden.
- Standort: Finden Sie einen geeigneten Standort für das Trampolin. Kontrollieren Sie, ob der Bereich um das Trampolin frei von störenden Gegenständen ist und prüfen Sie die Bodenbeschaffenheit. Bestimmen Sie nach diesen Vorgaben den Standort.
- Der Boden muss fest sein, um zu verhindern, dass die ausgehobene Kuhle durch schnelles Erodieren des Bodens an den Seiten einsinkt. Wenn nötig, verstärken Sie die Seiten der Kuhle, um das Einsinken zu verhindern.
- Sollte die Bodenbeschaffenheit zu fest sein, um selbst eine Grube zu graben, wählen Sie einen anderen Standort oder schalten Sie einen professionellen Erdbauberieb ein.
- Überprüfen Sie, ob sich durch einen hohen Grundwasserspiegel die Grube mit Wasser füllen könnte.
- Kontrollieren Sie auch, ob es genügend Abfluss- oder Drainagemöglichkeiten gibt, um Regenwasser abzuleiten. In der ausgehobenen Grube darf kein Wasser stehen bleiben.
- Verwenden Sie das (im Paket) mitgelieferte Maßband, um die Größe der auszuhebenden Grube, also Durchmesser, Tiefe und Form, zu bestimmen. Ziehen Sie hierzu auch die Abbildung in der Aufbauanleitung zu Rate.
- Sorgen Sie dafür, dass das Loch die Form und die Abmessungen hat, die in der Gebrauchsanleitung vorgegeben sind.
- Sorgen Sie dafür, dass der Rahmen waagrecht auf dem Boden montiert wird.
- Anweisungen zum Installieren, finden Sie auf Seite 4 und folgende.
- Zu weiteren Informationen über das Trampolin setzen Sie sich bitte mit dem Hersteller in Verbindung.
- Installieren Sie Zubehör gemäß den mitgelieferten Montageanweisungen.

6.2 Wartungsanleitungen

Kontrollieren Sie das BERG Trampolin vor jedem Gebrauch gemäß den Hinweisen in der Montageanleitung und ersetzen sie defekte, abgenutzte oder fehlende Teile. Das Unterlassen dieser Kontrollen und eine Vernachlässigung der Wartung können zu Gefahrensituationen und unnötigen Risiken für den Benutzer führen.

Überprüfen Sie die Grube unter dem Trampolin regelmäßig (mindestens einmal pro Jahr) und ergreifen Sie, wenn notwendig, Korrekturmaßnahmen. Wie in der Bedienungsanleitung aufgeführt, kontrollieren Sie die Grube auf folgende Punkte:

- Korrekte Tiefe
- Korrekte Form
- Stabilität des Rahmens und ob das Trampolin noch plan steht
- Objekte unter dem Trampolin

Nach einer längeren Regenperiode sollte die Grube ebenfalls kontrolliert werden. Stellen Sie eine gute Drainage für den Regenwasserabfluss sicher.

Wenn das Trampolin wegen Wartungs- bzw. Pflegearbeiten am Loch versetzt werden soll, müssen Sie das Trampolin aus dem Loch holen. Hierbei müssen Sie darauf achten, dass Sie die mitgelieferten Bänder (wie es in der Gebrauchsanleitung steht) am Rahmen befestigen. Möglicherweise müssen Sie hierfür etwas graben. Heben Sie dann das Trampolin mit drei erwachsenen Personen aus dem Loch. Sind die Wartungs- bzw. Pflegearbeiten abgeschlossen, können Sie das Trampolin wieder zurück setzen. Achten Sie darauf, dass der Rahmen waagrecht steht.

Wird das Trampolin über einen größeren Abstand umgesetzt, demontieren Sie es und legen Sie die Teile in die Original-Verpackung. Montieren Sie das Trampolin am neuen Standort laut den Anweisungen in der Gebrauchsanleitung.

Achten Sie auf:

- Den Zustand der Verbindungen von Rahmenkomponenten (defekte Schweißnähte oder verbogener Rahmen).
- Den Zustand der Federn (defekte oder überdehnte Federn) und Befestigung der Federn am Rahmen und Sprungtuch. Die Federn samt Aufhängung unterliegen dem Verschleiß. Abgenutzte Teile müssen rechtzeitig ausgetauscht werden.
- Den Zustand der Schraubverbindungen und stellen Sie sicher, dass diese noch festgezogen sind. Den Zustand der Klickverbindungen, und stellen Sie sicher, dass sich diese während des Springens nicht lösen können.
- Den Zustand der Sprungmatte (Beschädigung, falsche Spannung oder durchhängende Matte). Das Sprungtuch unterliegt einem Verschleiß durch Benutzung und Sonneneinstrahlung (UV-Licht). Tauschen Sie das Sprungtuch aus, sobald sich Verschleißerscheinungen zeigen.
- Einen fehlenden, falsch angeordneten oder schlecht befestigten Schutzrand.
- Löcher, ausgefranzte oder verschlissene Stellen oder Risse in der Matte oder im Schutzrand.
- Eine etwaige Verschlechterung in den Nähten oder im Gewebe der Matte oder im Schutzrand.
- Der Einsatz von Düngemitteln (Dünger, Dünger-Pellets, etc.) darf nicht in einem Radius von 2 Metern um das BERG Trampolin erfolgen. Die Verwendung solcher Produkte ist möglicherweise schädlich für das Material des Trampolins.
- Sie können die Sprungmatte und den Schutzrand mit einem Lappen und kaltem Wasser reinigen. Verwenden Sie KEINESFALLS Lösungsmittel, Spülmittel, Reiniger oder heißes Wasser.

6.3 Demontage

- Bei der Montage des Trampolins werden selbstsichernde Muttern verwendet. Diese Muttern sind zum einmaligen Gebrauch bestimmt. Wenn das Trampolin nach einer Demontage erneut montiert wird, müssen die selbstsichernden Muttern ausgetauscht werden.

6.4 Reparaturen

Setzen Sie sich mit unseren Händlern in Verbindung, um Originalteile für das BERG-Trampolin zu bestellen.

7. Garantie

7.1 Garantiezeit

- BERG Trampoline sind hochwertige Geräte. BERG bietet Ihnen eine Funktionsgarantie für jahrelangen, sorglosen Spielspaß. Eine Funktionsgarantie ist eine Garantie auf die Funktionale Nutzung des Trampolins. Bitte entnehmen Sie der nachfolgenden Tabelle die Laufzeit dieser Garantie (Jahren).

Rahmen	10
Rahmen (nach Produktregistrierung)	13 (10+3)
Schutzrand (Champion)	2
Schutzrand (Elite)	5
Sprungtuch	2
Federn	5
Safety Net	2

- Auf Sicherheitsnetze und Zubehör wird eine Garantie von 2 Jahren gewährt, mit Ausnahme der Abdeckhülle Basic, für die eine Garantie von 1 Jahr gilt. Verschleißteile (z.B. Gummizüge), die Folgen von Witterungseinflüssen (z.B. Rost und Verfärbung) und der Schaumstoff um die Rohre der Sicherheitsnetze sind von der Garantie ausgeschlossen.

7.2 Garantiebestimmungen

Der Eigentümer des Produkts kann eine Garantie nur durch Vorlage der Originalrechnung über den Kauf bei BERG oder dem Händler, bei dem das Produkt gekauft wurde, geltend machen. Die Garantie gilt ausschließlich für Material- und Konstruktionsfehler bei diesem Produkt oder Teilen hiervon.

Die Garantie erlischt, wenn:

- das Produkt falsch, nachlässig oder unsachgemäß verwendet wurde.
- das Produkt nicht in Übereinstimmung mit der Anleitung montiert und gewartet wird.
- technische Reparaturen an dem Produkt nicht fachgerecht ausgeführt werden.
- nachträglich montierte Teile nicht den technischen Spezifikationen des betreffenden Produkts entsprechen oder deren Montage nicht ordnungsgemäß erfolgte.
- wenn Schäden durch Witterungseinflüsse wie Rost, UV-Strahlen oder normaler Verschleiß auftreten.
- Trampoline von BERG unsachgemäß abgesehen werden.
- das Produkt zu Vermietungszwecken verwendet oder auf irgendeine andere Weise mehreren nicht näher bezeichneten Personen zur Verfügung gestellt wird.
- Während der Garantiezeit werden sämtliche von BERG anerkannten Material- und Konstruktionsfehler nach dem Ermessen von BERG im Anschluss an eine Prüfung der Sachverhalte durch BERG repariert oder ersetzt. Eine kostenfreie Reparatur erfolgt unter der Voraussetzung, dass die in Ziffer 7.1 genannte Garantiezeit noch läuft.
- Die Garantie kann der Eigentümer des BERG Trampolins nur dann geltend machen, wenn das Produkt von einem BERG Händler geprüft wird.
- Der Eigentümer dieses Produkts kann Ansprüche im Rahmen dieser Garantie nur dann geltend machen, wenn er das Produkt einem BERG Händler zur Prüfung zur Verfügung stellt. Gleichzeitig muss dem Händler die Originalkaufrechnung ausgehändigt werden. Wenn der Eigentümer umgezogen oder der Händler nicht mehr verfügbar ist, teilt BERG dem Eigentümer auf Anfrage den nächst gelegenen BERG Händler mit.
- Wenn ein Garantieanspruch abgelehnt wird, müssen alle angefallenen Kosten vom Eigentümer bezahlt werden.
- Diese Garantie ist nicht übertragbar an Dritte.



Product registration

Möchtest du eine kostenlose Zusatzgarantie?*

Vergiss dann nicht, dein Produkt gleich nach dem Kauf unter **www.bergtoys.com/de/registration** online zu registrieren!

Mit dieser Produktregistrierung erhältst du 3 zusätzliche Jahre Garantie auf den Rahmen deines Pedal-Gokarts oder Trampolins. Diese Garantie wird zusätzlich zu der Standardgarantie auf den Rahmen gewährt, die du erhältst.

*Die Bedingungen findest du auf www.bergtoys.com/de/registration



www.bergtoys.com/registration

Index

1. Introduction
2. Mises en garde
3. Information
4. Description du produit
5. Instructions de saut
 - 5.1 Avant de commencer à sauter
 - 5.2 Instructions de saut
 - 5.3 Quelques sauts de base
6. Instructions de montage et d'entretien
 - 6.1 Montage
 - 6.2 Instructions d'entretien
 - 6.3 Démontage
 - 6.4 Réparations
7. Garantie
 - 7.1 Période de garantie
 - 7.2 Conditions de garantie

1. Introduction

La pratique du trampoline est une source de plaisir et une activité saine. En plus d'être une occupation agréable, le trampoline contribue également à réduire le stress, à améliorer la condition physique et la circulation sanguine. Le trampoline est pour tous les âges. Nous espérons que vous tirerez beaucoup de plaisir de votre trampoline et vous remercions chaleureusement pour l'achat de trampoline BERG.

Ce manuel vous donne des indications sur l'assemblage, des instructions sur la sécurité et le saut afin de vous garantir une sécurité totale. Sauter sur un trampoline est non dangereux si vous suivez scrupuleusement nos instructions.

Lire les instructions. Gardez-le pour référence ultérieure.

BERG vous souhaite beaucoup de plaisir lorsque vous sautez!

2. Mises en garde

- Le poids de l'utilisateur ne doit pas dépasser:

330 (11ft)	380 (12,5ft)	430 (14ft)
100kg	110kg	120kg

- Le trampoline BERG ne devrait pas être utilisé par les enfants âgés de moins de 6 ans.
- Ne convient pas aux enfants de moins de 36 mois. Risque de chute.
- Ne convient pas aux enfants de moins de 36 mois. Danger d'étouffement, petits éléments.
- Assemblage par un adulte requis.
- Le Trampoline BERG est destiné à une utilisation extérieure.
- Lire les instructions. Gardez-les pour référence ultérieure.
- Le trampoline doit être monté par un adulte conformément à la notice de montage, et vérifié avant la première utilisation.
- Un seul utilisateur à la fois. Risque de collision. Utilisation par plusieurs personnes peut causer des blessures graves.
- Sauter sans chaussures.
- Ne pas utiliser le tapis lorsqu'il est mouillé.
- Vider les poches et les mains avant de sauter.
- Toujours sauter au milieu du tapis.
- Ne pas manger en sautant.
- Ne pas sortir en sautant
- Limiter la durée d'utilisation continue (faire des pauses régulières).
- Ne pas utiliser en condition de vent fort et arrimer le trampoline.
- Pas de sauts périlleux. Si vous retombez sur la tête ou la nuque, il y a risque de graves blessures, même si vous atterrissez au centre de la toile.
- La surveillance d'un adulte est nécessaire.
- N'utilisez pas le trampoline BERG si vous avez consommé de l'alcool ou des drogues.
- Aucune personne ou aucun objet ne doit être présent sous le trampoline quand quelqu'un l'utilise.

3. Information

- Utilisez uniquement votre produit BERG comme indiqué ci-dessous. Les utilisations non autorisées peuvent provoquer de graves blessures de l'utilisateur et/ou endommager le produit. Lisez toutes les instructions avant d'utiliser le trampoline. Les mises en garde et les instructions relatives à l'entretien, à la maintenance et à l'utilisation du trampoline visent une utilisation en toute sécurité et agréable de cet équipement.
- Si le trampoline doit être déplacé, en raison de l'entretien de l'emplacement actuel ou d'autres raisons, démonter les ancrs (le cas échéant) et déplacer le trampoline. Soulevez le trampoline avec trois adultes, en soulevant le trampoline dans les rails haut et déplacer vers le nouvel emplacement. Si le trampoline doit être déplacé sur une distance plus longue, démontez le trampoline, emballer les pièces dans l'emballage d'origine et remonter le au nouvel emplacement.
- Contrôlez que le trampoline BERG est à niveau.
- Tout autour du trampoline, prévoyez un espace libre de 2 mètres minimum, sans arbres, clôtures ni autres obstacles.
- Au-dessus du trampoline, l'espace libre doit être de 7 mètres minimum, comptés à partir du sol.
- Il n'est pas autorisé d'apporter des modifications ou des changements au trampoline. Cela peut vous mettre en danger. Seules les modifications qui sont approuvées par, ou conformes aux indications de BERG, sont autorisées. Toutes les réparations doivent être effectuées professionnellement. Adressez-vous à votre revendeur BERG.

4. Description du produit

- L'armature du Trampoline BERG est galvanisée et laquée pour protéger de la corrosion.
- Les trampolines BERG sont fabriqués avec des matériaux de qualité supérieure. Le fabricant vise une utilisation agréable pendant plusieurs années. De bons soins et une maintenance correcte assurent une longue durée de vie et permettent d'éviter les blessures.

5. Instructions de saut

5.1 Avant de commencer à sauter

- Assurez-vous que l'espace en dessous du trampoline BERG soit débarrassé d'obstacles et d'objets.
- N'utilisez le trampoline BERG que lorsqu'il est propre et sec.
- Maintenez éloignés les objets et obstacles qui pourraient gêner l'utilisateur. Faites en sorte que l'espace situé autour du trampoline soit vide.

5.2 Instructions de saut

- Ne pas entrer ou sortir du trampoline en sautant.
- Pour faire des mouvements adéquats, il faut adopter la bonne position. C'est en tendant les muscles que l'on obtient la bonne position et l'équilibre nécessaire.
- Une bonne position permet une utilisation sûre du trampoline. Pendant les sauts, le corps est exposé à des chocs qui doivent être amortis correctement. En tendant vos muscles, vous parvenez à un meilleur équilibre et vous augmentez la force de saut et de rebond de votre corps. Si la position est plus relâchée, il y aura une perte d'énergie et la force de saut et de rebond diminuera. Commencez par des sauts et des positions de base et ne faites pas de mouvements plus difficiles avant de bien maîtriser les fondements. Interrompez le saut en pliant les genoux dès que vos pieds touchent la toile de saut.
- Sautez toujours au centre de la toile de saut. Évitez de sauter sur le bord de la toile et la bordure de protection.
- Interrompez le saut en pliant les genoux dès que vos pieds touchent la toile de saut. Apprenez cette technique de base avant de vous perfectionner.
- Apprenez bien les sauts et positions de base avant d'essayer des mouvements plus difficiles. Pour s'exercer, il est possible de réaliser différentes séries et combinaisons de mouvements de base, avec ou sans sauts.
- Évitez de sauter trop haut. Faites de petits sauts jusqu'à ce que vous ayez une bonne maîtrise et que vous atterissiez au centre du trampoline. La maîtrise est plus importante que la hauteur.
- Tenez la tête bien droite et dirigez les yeux vers le périmètre du trampoline. Vous apprendrez ainsi à maîtriser les sauts.

5.3 Quelques sauts de base

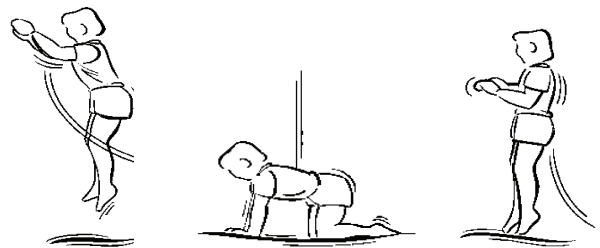
Saut de base

Tenez-vous debout et gardez la tête droite. Gardez les yeux orientés sur le tapis de saut. Balancez les bras en avant et en haut dans un mouvement circulaire. Gardez les pieds côte à côte et orientez les orteils vers le bas au cours du saut. Gardez les pieds lors de l'atterrissage à environ quarante centimètres l'un de l'autre.



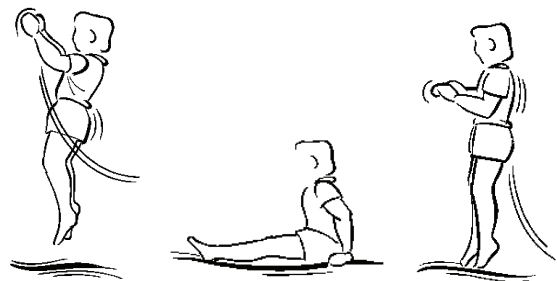
Saut sur mains et genoux

Démarrez par le saut de base. Gardez les yeux orientés sur le tapis de saut. Balancez les bras en avant et en haut dans un mouvement circulaire. Retombez sur les mains et les genoux. Repoussez avec les mains et retombez debout en posture droite.



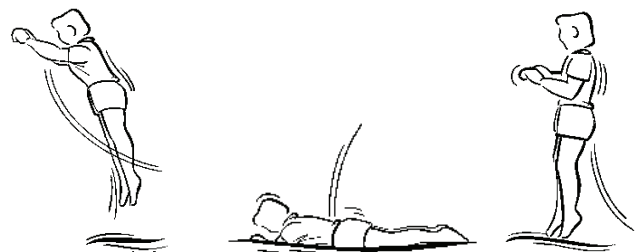
Saut sur siège

Démarrez par le saut de base. Gardez les yeux orientés sur le tapis de saut. Retombez en position assise. Placez les mains à côté des hanches sur le tapis de saut. Repoussez avec les mains et retombez debout en posture droite.



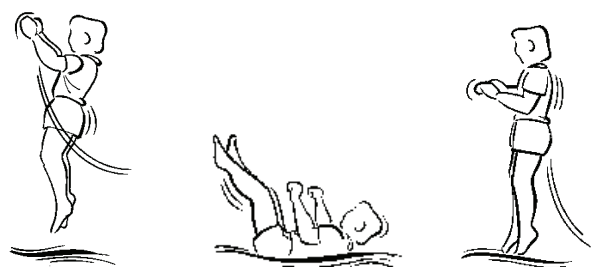
Saut ventral

Démarrez par le saut de base et retombez sur le ventre. Gardez la tête droite. Gardez les bras devant la tête sur le tapis de saut. Repoussez avec les bras pour revenir droit.



Saut dorsal

Démarrez par le saut de base et retombez sur le dos. Gardez le menton serré contre la poitrine lors de votre descente. Lancez les jambes en avant et en haut lorsque vous revenez debout.



6. Instructions de montage et d'entretien

6.1 Montage

- N'installer pas votre trampoline lorsque le vent est trop fort! Attendez l'arrêt du vent.
- Nous vous recommandons de porter des gants de travail, lors de l'installation des produits.
- Contrôlez que le trampoline BERG soit de niveau. À cet effet, vous pouvez recourir à un niveau à bulle.
- Le trampoline doit être monté par un adulte conformément à la notice de montage, et vérifié avant la première utilisation.
- Le montage du trampoline comprend des éléments de fixation et d'assemblage avec écrous autobloquants. Ces écrous autobloquants ne doivent être utilisés qu'une seule fois et doivent être remplacés lors du démontage ou du remontage.
- Zone géographique : Trouver un endroit approprié pour l'installation du trampoline en s'assurant qu'il n'y a pas d'obstacles environnants. Vérifier l'état du sol et les caractéristiques du lieu désigné pour déterminer la pertinence de l'installation.
- Le sol doit être ferme pour que le trou ne s'effondre pas à cause de l'érosion rapide du sol. Renforcez si nécessaire les parois du trou ou lissez-les pour éviter son effondrement.
- Si le sol est trop dur à creuser un trou, il est mieux de choisir un autre emplacement, ou consulter une entreprise d'excavation professionnel.
- Le trou creusé ne doit pas contenir l'eau. Vérifier si un niveau de nappe haute ne contribue pas à une collection d'eau dans le trou.
- Vérifiez en outre, il y a un drainage adéquat pour éliminer l'eau de pluie.
- Selon le schéma de la notice d'installation, utilisez le ruban à mesurer inclus (situé dans l'emballage) pour mesurer et déterminer le correcte diamètre, la profondeur et la forme du trou creusé.
- Assurez-vous que la forme et les dimensions du trou reflètent la manuel d'installation.
- Assurez-vous que le cadre est au bon niveau par rapport au sol.
- Instructions sur l'installation physique, voir page 4 et suivantes.
- Contactez le fabricant si vous désirez d'autres informations sur le trampoline.
- Installez les accessoires selon les instructions d'installation ci-jointes.

6.2 Instructions d'entretien

Inspecter le trampoline BERG avant chaque utilisation selon le manuel de montage et remplacer les pièces défectueuses, usés ou manquants. L'ignorance de ces inspections et l'absence de maintenance régulière pourraient entraîner des situations dangereuses et des risque inutiles pour l'utilisateur.

Inspecter régulièrement le trou sous le trampoline. (au moins 1 x par an) et prendre des mesures correctives si nécessaire. Comme indiqué dans le guide d'installation, vérifiez le trou sur :

- Profondeur correcte
- Forme correcte
- La stabilité du cadre et si le trampoline est encore au niveau
- objets et supprimez-le

Inspecter le trou sous le trampoline après une période de pluie. Prendre soin de bon drainage évacuer l'eau.

Si le trou du trampoline a besoin d'entretien, le trampoline doit d'abord être enlevé dans son intégralité. Les sangles comme inclus dans la boîte sont nécessaires pour faciliter le retrait. Se référer au manuel d'installation. L'Installation de la courroie peut exiger quelques recherches de position pour l'enlèvement du trampoline. Il est recommandé d'avoir un minimum de 3 adultes pour enlever le trampoline. Une fois l'entretien terminé, retourner à l'emplacement d'origine garantissant que le trampoline est au bon niveau par rapport au sol.

Le trampoline doit être enlevé et placé dans un endroit alternatif, pas à proximité de l'emplacement. Il doit être démonté et placé dans l'emballage d'origine. Ré-assembler conformément aux instructions d'assemblage et d'installation.

Faites attention aux points suivants:

- État des articulations des composants du cadre (soudures cassées ou cadre plié).
- État des ressorts (ressorts cassés ou fortement étirés) et la fixation des ressorts sur le cadre et le tapis de saut. Les ressorts et la suspension des ressorts sont sujets à l'usure, remplacez les pièces usées en temps utile.
- Vérifiez que les boulons sont bien fixés et fixez-les encore une fois si nécessaire. Vérifiez les fixations (goupilles) ou assurez-vous qu'elles ne se détachent pas en sautant.
- État de la toile de saut (endommagements, tension incorrecte ou affaissement). Le tapis de saut s'use à cause de l'utilisation du trampoline et à cause de l'exposition au soleil (rayons UV). Remplacez-le à temps quand son état se détériore.
- Bordure de protection manquante, placée de manière incorrecte ou fixée de manière dangereuse.
- Endommagements, effilochements, déchirures ou trous dans la toile de saut ou la bordure de protection.
- Détérioration des coutures ou de la structure de la toile de saut ou de la bordure de protection.
- Vérifier les arêtes vives et de saillies de cadre.
- L'utilisation d'engrais (engrais, granulés d'engrais, etc.) n'est pas autorisée dans un rayon de 2 mètres autour du trampoline BERG. L'utilisation de ces produits peut-être être nocif pour le matériel du trampoline.
- Vous pouvez nettoyer la toile de saut et la bordure de protection avec un chiffon et de l'eau froide. N'utilisez JAMAIS de solvants, de produit lave-vaisselle, de détergents ou d'eau chaude.

6.3 Démontage

- Le montage du trampoline comprend des éléments de fixation et d'assemblage avec écrous autobloquants. Ces écrous autobloquants ne doivent être utilisés qu'une seule fois et doivent être remplacés lors du démontage ou du remontage.

6.4 Réparations

Contactez nos revendeurs pour commander des pièces d'origine.

7. Garantie

7.1 Période de garantie

- Les trampolines BERG sont de équipements de qualité supérieure. BERG vous offre Garantie fonctionnelle pour vous assurer une utilisation agréable et sans problèmes pendant de longues années. Une garantie fonctionnelle est une garantie portant sur l'utilisation fonctionnelle du trampoline. Veuillez consulter le tableau ci-dessous pour prendre connaissances des conditions (ans).

Cadre	10
Cadre (<i>après enregistrement du produit</i>)	13 (10+3)
Coussin de protection (Champion)	2
Coussin de protection (Elite)	5
Toile de saut	2
Ressorts	5
Filet de protection	2

- La filet de sécurité et les accessoires présentent une garantie de 2 ans sauf la housse de protection Basic qui a une période de garantie de 1 an. Les pièces d'usure et les composants pouvant se déchirer (tels que les élastiques) ainsi que les effets climatologiques (rouille et décoloration par exemple) et la mousse sur le poteaux des filets de sécurité sont exclus de la garantie.

7.2 Conditions de garantie

Le propriétaire du produit ne peut faire valoir son droit à la garantie que sur présentation du ticket de caisse original de BERG ou du revendeur chez lequel il a acheté le produit. La garantie s'applique exclusivement aux défauts de matériel et de construction, pour le produit ou ses composants.

La garantie ne marche pas dans les cas suivants:

- le produit est utilisé de manière erronée, négligente ou inappropriée.
- Le produit n'a pas été assemblé et n'est pas entretenu conformément aux instructions.
- Les réparations techniques n'ont pas été réalisées de manière professionnelle.
- Les composants mis en place ne correspondent pas aux spécifications techniques du produit ou l'installation n'a pas été réalisée correctement.
- Les dommages provoqués par les effets climatologiques (rouille, rayons ultraviolets) ou une usure ou détérioration normale.
- Abaissement incorrect des trampolines BERG.
- Le produit est loué ou mis à disposition, d'une autre manière, de personnes non spécifiées.
- Pendant la période de garantie, tous les défauts de matériaux et de construction établis par BERG seront réparés ou remplacés, au choix de BERG. Les réparations seront effectuées gratuitement si la période de garantie mentionnée au point 7.1 est encore valable.
- Le propriétaire du trampoline BERG ne peut faire appel à la garantie que si le produit a été inspecté par un revendeur BERG.
- Le propriétaire du produit ne peut faire de revendications liées à la garantie que s'il fournit le produit au revendeur BERG pour inspection. La facture d'achat originale doit également être remise au revendeur. Si le propriétaire a déménagé ou que le revendeur a cessé ses activités, BERG communiquera au propriétaire, à sa demande, l'emplacement du revendeur BERG le plus proche.
- Si la revendication liée à la garantie est refusée, tous les frais engagés seront à la charge du propriétaire.
- La présente garantie ne peut pas être transférée à des tiers.



Product registration

Veux-tu une garantie supplémentaire gratuite?

N'oublie pas d'enregistrer ton produit en ligne directement après l'achat via **www.bergtoys.com/fr/registration**.

L'enregistrement de ce produit te permet de recevoir 3 années supplémentaires de garantie sur le cadre de ton kart à pédales ou de ton trampoline. Cette garantie supplémentaire s'ajoute à la garantie standard sur le cadre.

*Consulte les conditions sur www.bergtoys.com/fr/registration



www.bergtoys.com/fr/registration

Index

1. Introduktion
2. Varningar
3. Information
4. Produktbeskrivning
5. Instruktioner för hoppning
 - 5.1 Innan du börjar hoppa
 - 5.2 Hoppinstruktioner
 - 5.3 Grundläggande hopp
6. Montering och underhållsinstruktioner
 - 6.1 Montering
 - 6.2 Underhållsinstruktioner
 - 6.3 Nedmontering
 - 6.4 Reparation
7. Garanti
 - 7.1 Garantiperiod
 - 7.2 Garantins villkor

1. Introduktion

Att använda studsatta uppmuntrar till aktiv och hälsosam lek. Det har en positiv inverkan på stress, fysiskt välbefinnande och blodcirkulation. Att hoppa studsatta är till för dem som är unga och dem som känner sig unga!

Tack för att du väljer en studsatta från BERG. Vi är säkra på att du kommer att få många års nytta och nöje av att hoppa.

Denna manual ger dig tips om montering och säker användning, samt hoppinstruktioner för många års problemfri användning. Att hoppa på en studsatta är inte farligt så länge som man följer säkerhetsinstruktionerna.

Läs instruktionerna noggrant och spara dem för framtida bruk.

BERG önskar dig en rolig och aktiv hoppupplevelse!

2. Varningar

- Användarens vikt ska inte överskrida:

330 (11ft)	380 (12,5ft)	430 (14ft)
100kg	110kg	120kg

- BERG-studsmattan rekommenderas inte för användning av barn under 6 års ålder.
- Inte lämplig för barn under 36 månader. Fallrisk.
- Inte lämplig för barn under 36 månader. Kvävningrisk. Små delar.
- Montering av en vuxen krävs.
- BERG-trampolinen får endast användas utomhus.
- Läs instruktionerna noggrant och spara dem för framtida bruk.
- Studsmattan ska monteras av en vuxen enligt monteringsanvisningarna och ska sedan kontrolleras före första användning.
- Endast en användare i taget. Risk för kollision. Om trampolinen används av flera personer kan detta leda till allvarliga skador.
- Hoppa utan skor.
- Använd inte mattan när den är blöt.
- Ha inget i händerna och töm fickorna innan du hoppar.
- Hoppa alltid i mitten av mattan.
- Ät inte när du hoppar.
- Hoppa inte av mattan
- Begränsa den tid som du hoppar (ta regelbundna pauser).
- Använd inte mattan vid starka vindar och förankra studsmattan.
- Inga kullerbyttor eller volter. Att landa på huvud eller nacke kan orsaka allvarliga skador också om du landar i mitten av mattan.
- Tillsyn av vuxen krävs.
- Det är förbjudet att använda BERGs studsmattor under påverkan av alkohol eller droger.
- Föremål, djur eller människor under BERG-studsmattan är förbjudet.

3. Information

- Denna BERG-produkt ska användas så som beskrivs i manualen. Användande som avviker från instruktionerna i manualen kan potentiellt leda till allvarliga skador på person eller produkt. Läs alla instruktioner innan studs mattan används. För att det ska vara säkert och behagligt att använda BERG-studs mattan medföljer varningar och instruktioner för skötsel och underhåll.
- Om studs mattan skulle behöva flyttas till en annan plats (kort avstånd), ta först isär ankarfästena (om sådana finnes) innan flytt. Det rekommenderas att studs mattan lyfts i den övre ramen av 3 vuxna. Om studs mattan behöver flyttas ett större avstånd rekommenderas att den nedmonteras, läggs tillbaka i den ursprungliga förpackningen och monteras igen på den nya platsen.
- Försäkra dig om att BERG-studs mattan är plan efter installering.
- Försäkra dig om ett område på minst 2 meter som är fritt från träd, staket och alla andra hinder i omgivningen.
- Det krävs att man har en fri höjd på minst 7 meter mätt från den yta som studs mattan står på.
- Av säkerhetsskäl är modifikationer eller ändringar av studs mattan, om de inte är godkända av BERG, förbjudna. Reparationer måste utföras av yrkesmän. Rådfråga din BERG-återförsäljare.

4. Produktbeskrivning

- BERG studs mattans ram är galvaniserad och pulverlackerad för att skydda mot korrosion.
- För att den säkert ska ge nöje i många år är BERG-studs mattan tillverkad endast av material av hög kvalitet. Korrekt skötsel hjälper den att hålla länge och förebygger skador.

5. Instruktioner för hoppning

5.1 Innan du börjar hoppa

- Föremål, djur eller människor under BERG-studs mattan är förbjudet.
- Använd endast BERG-studs mattan när den är ren och torr.
- Föremål och andra hinder som kan störa hoppningen bör inte få finnas i hoppområdet.

5.2 Instruktioner för hoppning

- Ta dig inte upp på eller ner från studs mattan genom att hoppa.
- Korrekta rörelser när man använder BERG-studs mattan kräver god hållning. God hållning och balans uppnås genom att man spänner musklerna.
- God hållning gör det säkert att använda BERG-studs mattan. När man hoppar utsätts kroppen för stötar som kräver korrekt absorbering. Genom att spänna dina muskler får du bättre kontroll över din balans, och det leder till mer fjädring i hoppen. En mer avslappnad hållning, däremot, leder till mindre energi och mindre fjädring i hoppen. Börja med de grundläggande hoppen och positionerna och öka bara svårighetsgraden när du har bemästrat dem. För att få till ett stopp när du hoppar, böj på knäna när fötterna rör mattan.
- Hoppa alltid i mitten av mattan. Undvik att hoppa på dukens kant och studs mattans kantskydd.
- För att få till ett stopp när du hoppar, böj på knäna när fötterna rör mattan. Lär dig denna färdighet innan du försöker med något annat.
- Lär dig grundläggande hopp och kroppspositioner noggrant innan du försöker mer avancerade tekniker. En mängd hopptechniker kan utföras för sig själva eller i serier eller kombinationer mellan hopp.
- Undvik att hoppa för högt. Lär dig först att kontrollera hoppen med en korrekt landning i mitten av mattan. Utifrån säkerheten är kontroll viktigare än höjd.
- För att behålla kontrollen medan du hoppar, se till att din hållning är rak, att huvudet hålls upprätt och att ögonen är riktade på studs mattan.

5.3 Grundläggande hopp

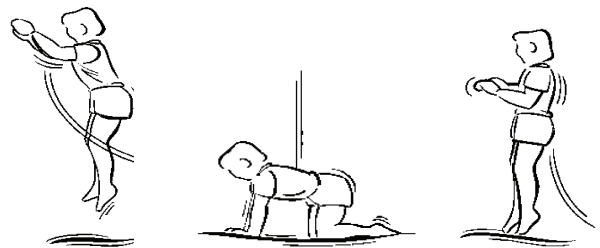
Grundhopp

Stå rakt, med huvudet i en rak position. Håll ögonen fokuserade på mattan. Medan du hoppar uppåt, svinga armarna framåt och i en cirkelrörelse och peka nedåt med tårna. Håll ihop fötterna, med tårna pekande nedåt, när du kommer tillbaka mot studs mattan. När du landar på mattan, håll dina fötter isär med ungefär 40cm.



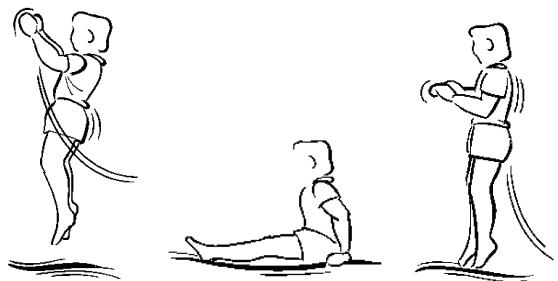
Hand- och knähopp

Börja med ett grundhopp. Håll ögonen fokuserade på mattan. Svinga armarna framåt och i en cirkelrörelse. Landa på händerna och knäna. Stöt ifrån med händerna och återgå till en stående position.



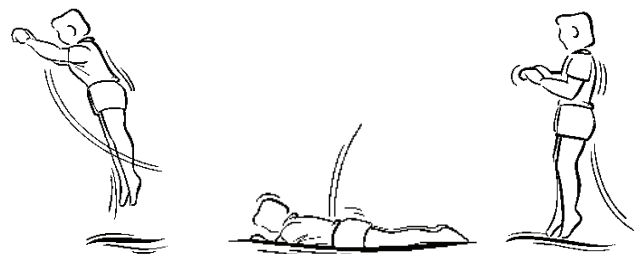
Sittstuds

Börja med ett grundhopp. Håll ögonen fokuserade på mattan. Landa i en sittande position. Placera händerna bredvid höfterna på mattan medan du sitter. Stöt ifrån med händerna och återgå till en stående position.



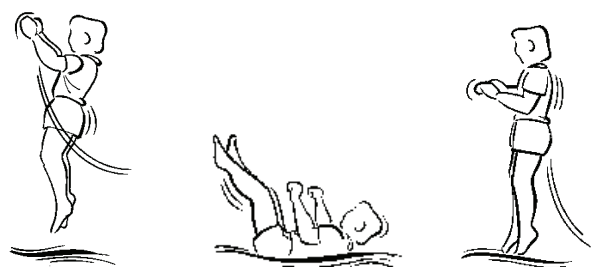
Maghopp

Gör ett grundhopp och landa på mage. Håll huvudet rakt. Håll armarna utsträckta framåt på mattan. Stöt ifrån med händerna och återgå till en stående position.



Rygghopp

Gör ett grundhopp och landa på rygg. Håll hakan tryckt mot ditt bröst medan du landar. Sparka framåt och uppåt med benen när du återgår till en stående position.



6. Montering och underhållsinstruktioner

6.1 Montering

- Installera inte studs mattan i extremt blåsigt väder, vänta på lugnare väder.
- Det rekommenderas att man bär handskar när man installerar BERG-studs mattan.
- Försäkra dig om att BERG-studs mattan är plan efter installation. Det rekommenderas att använda ett vattenpass.
- Studs mattan bör installeras av en vuxen i enlighet med monteringsinstruktionerna. BERG rekommenderar att man ser över den slutliga monteringen innan studs mattan används.
- Montering av studs mattan består av fästordningar och beslag med självlåsand muttrar. Dessa självlåsand muttrar är endast till för användning en gång. Vid nedmontering och ommontering måste de självlåsand muttrarna ersättas.
- Plats: Hitta en lämplig plats för installation av studs mattan. Säkerställ att det inte finns några hinder runt omkring. Kontrollera markens förhållanden och egenskaper för att bestämma placeringen.
- När du gräver gropen bör jorden vara fast för att undvika att den faller samman på grund av erosion. Om det är nödvändigt, förstärk gropens sidor eller jämna ut dem för att förebygga detta.
- Om jorden hindrar att man gräver en grop är det bättre att välja en annan plats eller rådfråga ett professionellt grävföretag.
- Den grävda gropen bör inte innehålla vatten.
- Kontrollera att en hög grundvattennivå inte bidrar till en ansamling av vatten i gropen. Kontrollera också att det finns tillräcklig avrinning av regnvatten.
- Som det visas i installationsmanualen, använd det bifogade måttbandet (finns i förpackningen) för att mäta upp korrekt diameter, djup och form på gropen som ska grävas.
- Se till att gropen har formen och måtten som anges i installationsmanualen.
- Se till att ramen är i nivå med marken (använd vattenpass).
- För installationsinstruktioner, se sidan 4.
- För ytterligare information om studs mattor, kontakta tillverkaren.
- Installera tillbehör enligt installationsmanualen/vägledningen.

6.2 Underhållsinstruktioner

Som det beskrivs i monteringsmanualen, inspektera BERG-studs mattan innan varje användning och ersätt trasiga, slitna eller försvunna delar. Att inte inspektera och att försumma underhåll kan leda till farliga situationer och onödiga risker för användaren.

Inspektera gropen under studs mattan periodvis. (Minst en gång per år), och vidta korrigeringsåtgärder om det behövs. Som det beskrivs i installationsmanualen, inspektera gropen för:

- Korrekt djup.
- Korrekt form.
- Stabilitet och enhetlighet i konstruktionen.
- Önskad föremål.

Efter en regnig period och innan användning, inspektera studs mattans grop. Kontrollera att det finns tillräcklig avrinning för att forsla bort regnvatten.

Om gropen kräver underhåll ska hela studs mattan först tas bort. Banden som följde med i paketet underlättar flytten, se installationsmanualen. Visst grävarbete kan krävas för att installera banden under ramen. Det rekommenderas att minst 3 vuxna lyfter upp studs mattan ur gropen. När underhållet av gropen är klart kan studs mattan ställas tillbaka. Kontrollera att ramen är i nivå med marken (använd vattenpass).

Om studs mattan ska flyttas längre bort ska den tas isär. Lägg delarna i originalförpackningen och montera studs mattan igen på den nya platsen enligt monterings- och installationsanvisningarna.

Var uppmärksam på följande:

- Tillståndet på ramens leder. (Till exempel Trasiga fogar eller böjd ram.)
- Fjädrarnas tillstånd (skadade eller överdrivet sträckta) och fjädrarnas fäste till ramen och hoppduken. Fjädrar och upphängningsfjädrar kan utsättas för slitage. Ersätt utslitna delar när det behövs.
- Kontrollera att bultarna sitter åt, och skruva åt dem där det behövs. Kontrollera tryckstiftens anslutningar för att se till att de inte kommer att lossna när man hoppar.
- Hoppdukens tillstånd (skada, inkorrekt spänning eller att duken hänger slapt). Hoppduken slits av användning och av att bli utsatt för solljus (UV-strålning). Byt ut hoppduken på lämpligt sätt när tillståndet blir illa.
- Saknad, inkorrekt positionerad eller ostadigt fastsatt skyddsvaddering.
- Inkorrekt sömmar, hopskrynkling, revor eller hål i hoppduken eller skyddsvadderingen.
- Förfall i sömmarna eller materialet på hoppduken eller skyddsvadderingen.
- Kolla efter vassa kanter eller delar av ramen som sticker fram.
- Att använda gödningsmedel (konstgjorda gödningsmedel, pellets etc.) inom en radie på 2 meter runt BERG-studsmattan är förbjudet. Sådana produkter kan få delar att rosta.
- Hoppduken och kantskyddet kan rengöras med en trasa och kallt vatten. Använd ALDRIG lösningsmedel, diskmedel, tvättmedel eller varmt vatten.

6.3 Nedmontering

- Montering av studsmattan består av fästordningar och beslag med självlåsande muttrar. Dessa självlåsande muttrar är endast till för användning en gång. Vid nedmontering och ommontering måste de självlåsande muttrarna ersättas.

6.4 Reparation

Kontakta våra BERG-auktoriserade återförsäljare för att beställa originaldelar till BERG-studsmattan.

7. Garanti

7.1 Garantiperiod

- Studsmattor från BERG är av mycket hög kvalitet. För att ge dig år med bekymmersfritt nöje på våra studsmattor erbjuder BERG en funktionsgaranti. Det är en utfästelse om studsmattans funktionalitet. Var god se tabellen nedan för denna garantis villkor (år).

Ram	10
Ram (efter produktregistrering)	13 (10+3)
Kantskydd (Champion)	2
Kantskydd (Elite)	5
Hoppduken	2
Fjädrarnas	5
Skyddsnet	2

- Med undantag av 1-årsgarantin på BERGs skyddshölje basic, har BERGs skyddsnet och tillbehör en garantiperiod på 2 år. Delar som är mottagliga för slitage (till exempel resårband), väder (till exempel rost och missfärgning) och skummet i rören för BERGs skyddsnet utesluts från garantin.

7.2 Garantins villkor

Produktens ägare kan endast göra anspråk på garantin genom att visa originalkvittot från köpet. Garantin gäller endast för material- och fabrikationsfel relaterade till BERG-produkten och relaterade delar.

Garantin blir ogiltig om:

- Produkten används oriktigt och/eller försumligt.
- Produkten inte monteras och underhålls i enlighet med instruktionsmanualen.
- Tekniska reparationer av produkten inte görs på ett professionellt vis.
- Reservdelar inte motsvarar de tekniska specifikationerna av produkten ifråga eller är inkorrekt installerade.
- Skada är orsakad av påverkan från väder, så som rost, UV-strålning eller vanligt väderslitage.
- Om BERG-studsmattan är inkorrekt nedgrävd.
- Produkten hyrs ut eller görs tillgänglig för användning av tredje part.
- Under garantiperioden kommer alla fastställda fel på material eller konstruktion att repareras eller ersättas av BERG. Reparationer utan kostnad är tillgängliga under förutsättning att produkten fortfarande befinner sig i sin garantiperiod enligt artikel 7.1.
- BERG-garantin kan endast gälla utifrån inspektion av BERG-auktoriserad återförsäljare.
- BERG-garantin kan endast gälla om det ursprungliga kvittot på köpet visas för den BERG-auktoriserade återförsäljaren. Om ägaren har flyttat eller BERG-återförsäljaren inte längre är verksam kan BERG rekommenderade en alternativ BERG-återförsäljare.
- Om garantibegäran inte godkänns måste alla kostnader som uppstått betalas av ägaren.
- Denna garanti kan inte föras över till tredje part.



Product registration

Vill du ha extra gratis garanti?*

Glöm då inte att direkt efter köpet registrera din produkt online via **www.bergtoys.com/registration**.

Denna produktregistrering berättigar dig till 3 års förlängd garanti på ramen till din gokart eller studsatta.

Den utökade garantin är ett tillägg till den vanliga garantin på ramen som du får.

*Se alla villkor på www.bergtoys.com/registration



www.bergtoys.com/registration

Indholdsfortegnelse

1. Introduktion
2. Advarsler
3. Oplysninger
4. Produktbeskrivelse
5. Hoppeinstruktioner
 - 5.1 Før du begynder at hoppe
 - 5.2 Hoppeinstruktioner
 - 5.3 Grundlæggende hop
6. Montering og vedligeholdelsesinstruktioner
 - 6.1 Montering
 - 6.2 Vedligeholdelsesinstruktioner
 - 6.3 Demontering
 - 6.4 Reparationer
7. Garanti
 - 7.1 Garantiperiode
 - 7.2 Garantibetingelser

1. Introduktion

Brug af trampolinen fremmer aktiv og sund leg. Det har en positiv effekt på stress, fysisk tilstand og blodcirkulation. Hop på trampolin er både for unge og barnlige sjæle!

Tak fordi du valgte at købe en trampolin fra BERG. Vi er sikre på du vil få mange års gavnlig brug og glæde ved at hoppe.

Denne vejledning giver tips om montering, sikker brug og hoppeinstruktioner til mange års problemfri brug. Det er ikke farligt at hoppe på en trampolin, så længe man følger sikkerhedsinstruktionerne.

Læs instruktionerne omhyggeligt og opbevar dem til fremtidig reference.

BERG ønsker dig en sjov og aktiv hoppeoplevelse!

2. Advarsler

- Vægten af brugeren må ikke overstige:

330 (11ft)	380 (12,5ft)	430 (14ft)
100kg	110kg	120kg

- Trampolinen fra BERG anbefales ikke til brug af børn under 6 år.
- Ikke egnet til børn under 36 måneder. Fare for at falde.
- Ikke egnet til børn under 36 måneder. Kvælningsfare. Små dele.
- Samling skal foretages af en voksen.
- BERG-trampolinen er kun til udendørs brug.
- Læs instruktionerne omhyggeligt og opbevar dem til fremtidig reference.
- Trampolinen skal samles af en voksen i overensstemmelse med samlevejledningen og derefter kontrolleres før første brug.
- Kun én bruger. Fare for sammenstød. Brug af flere personer kan medføre alvorlig skade.
- Hop uden sko,
- Anvend ikke dugen, når den er våd.
- Tøm lommerne, før der hoppes, og undgå at have noget i hænderne.
- Hop altid midt på dugen.
- Spis og hop ikke samtidig.
- Forlad ikke trampolinen med et hop.
- Begræns tiden for brug (hold regelmæssige pauser).
- Fastgør trampolinen, og anvend den ikke i stærk vind.
- Ingen saltomortaler. Landing på hoved eller hals kan forårsage alvorlig skade, selv når du lander midt på trampolindugen.
- Voksens opsyn påkrævet.
- Det er forbudt at bruge BERG-trampoliner under påvirkning af alkohol eller andre rusmidler.
- Der må ikke befinde sig nogen genstande, dyr eller personer under BERG-trampolinen.

3. Oplysninger

- BERG-produktet skal bruges, som beskrevet i vejledningen. Brug, der afviger fra vejledningen, kan potentielt føre til alvorlige personskader eller beskadigelse af produktet. Læs hele vejledningen før brug af trampolinen. For at sikre sikker og komfortabel brug af BERG-trampolinen, er der inkluderet advarsler og anvisninger mht. pleje og vedligeholdelse.
- Hvis trampolinen skal flyttes til en anden placering (kort afstand), skal ankrene fjernes (hvis disse er monteret) før trampolinen flyttes. Det anbefales, at trampolinen løftes i de øverste rør af 3 voksne. Hvis trampolinen skal flyttes over en større afstand, anbefales det at adskille trampolinen i dele, pakke den ned i den originale emballage og samle den igen på den nye placering.
- Sørg for, at BERG-trampolinen står vandret, når den er samlet.
- Sørg for en minimums-afstand på mindst 2 meter til træer, hegn og andre omkringliggende forhindringer.
- Det er påkrævet at have en minimums-frihøjde opadtil på 7 meter, målt fra underlaget som trampolinen står på.
- Af sikkerhedsmæssige årsager, medmindre BERG har godkendt dette, er det forbudt at ændre eller modificere trampolinen. Reparationer skal udføres af en fagmand. Kontakt din BERG-forhandler.

4. Produktbeskrivelse

- BERG trampolinrammen er galvaniseret og pulverlakeret for at beskytte mod korrosion.
- For at sikre mange års fornøjelse, er BERG-trampolin fremstillet af materialer i høj kvalitet. Korrekt vedligeholdelse og pleje fremmer en lang levetid og forebygger skader.

5. Hoppeinstruktioner

5.1 Før du begynder at hoppe

- Der må ikke befinde sig nogen genstande, dyr eller personer under BERG-trampolinen.
- Brug kun BERG-trampolinen, når den er ren og tør.
- Ting og andre forhindringer, der kan forstyrre hopperiet bør forbydes i hoppeområdet.

5.2 Hoppeinstruktioner

- Stig ikke op på eller ned af trampolinen ved at hoppe.
- Korrekt bevægelse under brug af BERG-trampolinen kræver en god kropsholdning. Korrekt kropsholdning og balance opnås ved at spænde musklerne.
- God kropsholdning sikrer sikker brug af BERG-trampolinen. Når man hopper, udsættes kroppen for stød, der kræver korrekt stødabsorption. Ved at spænde musklerne, opnår du bedre kontrol over balancen hvilket giver bedre udholdenhed mens du hopper. Omvendt fører en mere afslappet kropsholdning til tab af energi og udholdenhed mens du hopper. Begynd med de grundlæggende hop og hoppepositioner og øg først sværhedsgraden, når du har styr på disse. For at stoppe, mens du hopper, skal du bøje knæene når dine fødder rører dugen.
- Hop altid midt på dugen. Undgå at hoppe i kanten af dugen og på trampolinens polstring.
- For at stoppe, mens du hopper, skal du bøje knæene når dine fødder rører dugen. Lær at gøre dette, før du prøver flere og andre teknikker.
- Lær de grundlæggende hop og kropspositioner grundigt, før du prøver mere avancerede teknikker. Nogle hoppeteknikker kan udføres hver for sig eller i serier og/eller kombination med flere hop.
- Undgå hoppe for højt. Opnå først kontrol over dine hop med en korrekt landingsposition midt på dugen. Ud fra et sikkerhedsmæssigt perspektiv er kontrol vigtigere end højde.
- For at sikre og fastholde kontrollen mens du hopper, skal din kropsholdning være lige, hovedet skal være i oprejst position og øjnene være fokuseret på springdugen.

5.3 Grundlæggende hop

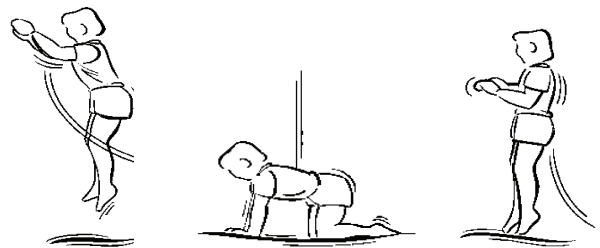
Grundlæggende hop

Indtag opretstående stilling med hovedet i oprejst position. Fokuser blikket på springdugen. Når du hopper opad, svinger du armene fremad i en cirkulær bevægelse og peger tæerne nedad. Hold fødderne tæt sammen med tæerne pegene nedad, når du vender tilbage til springdugen. Når du lander på springdugen, skal du holde dine fødder ca. 40 cm fra hinanden.



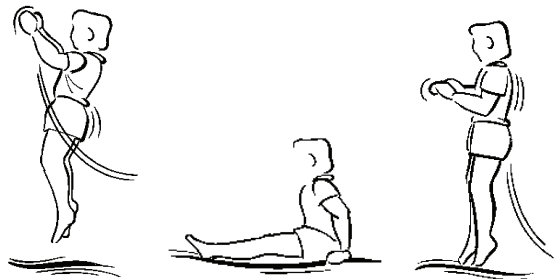
Hop på hænder og knæ

Begynd med grundlæggende hop. Fokuser blikket på springdugen. Sving armene fremad i en cirkulær bevægelse. Land på hænder og knæ. Skub fra med hænderne og vend tilbage til opretstående stilling.



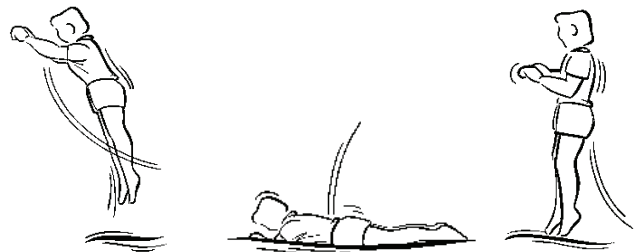
Hop på bagdelen

Begynd med grundlæggende hop. Fokuser blikket på springdugen. Land i siddende stilling. Placer hænderne ved siden af hoften på springdugen, når du er i siddende stilling. Skub fra med hænderne og vend tilbage til opretstående stilling.



Mavehop

Begynd med grundlæggende hop og land på maven. Hold hovedet lige. Hold armene strakte og pegende fremad på springdugen. Skub fra med hænderne og vend tilbage til opretstående stilling.



Hop på ryggen

Begynd med grundlæggende hop og land på ryggen. Hold hagen presset ned mod brystet under landingen. Spark fremad og opad med benene, når du vender tilbage til stående stilling.



6. Montering og vedligeholdelsesinstruktioner

6.1 Montering

- Montere ikke trampolinen i ekstrem vindforhold. Vent når vinden aftager.
- Det anbefales af bruge handsker, når du samler din BERG-trampolin.
- Sørg for, at BERG-trampolinen står vandret når den er samlet. Brug et vaterpas til at tjekke det med.
- Trampolinen skal samles af en voksen i henhold til monteringsvejledningen. BERG anbefaler at gennemgå samlingen af trampolinen før brug.
- Saml trampolinen vha. skruer og beslag med selvlåsende møtrikker. De selvlåsende møtrikker er kun til engangsbrug. Hvis trampolinen skilles ad og pakkes sammen, skal de selvlåsende møtrikker skiftes ud.
- Beliggenhed: Find den optimale placering til trampolinen: Placer trampolinen tilstrækkelig langt fra forhindringer og kontroller jordbundsforholdene.
- Når hullet graves, bør jorden være fast at undgå den falder sammen på grund af erosion. Forstærk om nødvendigt hullets sider, eller glat dem for at forhindre dette.
- Hvis det ikke er muligt at grave et hul i jorden, er det bedre at vælge en anden placering eller konsultere et professionelt udgravningsfirma og få deres råd og vejledning.
- De udgravede hul må ikke indeholde vand. Tjek området, så du kan undgå at et højt grundvandsniveau fylder hullet med vand.
- Tjek også, om der er passende afløb til bortskaffelse af regnvand.
- Som vist på diagrammet i installationsvejledningen, skal du bruge det medfølgende målebånd (findes i emballagen) til at måle og bestemme den korrekte diameter, dybde og form på det udgravede hul.
- Sørg for at størrelsen og udformningen af hullet er som angivet i manualen.
- Sørg for, at trampolinrammen står helt vandret.
- For monteringsvejledning, se side 4.
- Kontakt producenten for yderligere oplysninger om trampolinen.
- Installer tilbehør iht. installationsvejledningen/guiden.

6.2 Vedligeholdelsesinstruktioner

Som beskrevet i samlevejledningen, skal BERG-trampolinen tjekkes før hver brug. Eventuelle beskadigede, slidte eller manglende dele skal udskiftes eller erstattes. Hvis inspektionerne ikke udføres og trampolinen ikke vedligeholdes kan dette føre til farlige situationer og unødvendige risici for brugeren.

Tjek hullet under trampolinen med jævne mellemrum. (Mindst en gang om året) og træf om nødvendigt korrigerende foranstaltninger. Tjek hullet, som angivet i installationsvejledningen, for:

- Korrekt dybde.
- Korrekt form.
- Rammens stabilitet og ensartethed.
- Uønskede objekter.

Tjek trampolinens hul efter en regnfuld periode og før brug. Sørg for, at der er passende afløb til bortskafning af regnvand.

Hvis trampolin hullet kræver vedligeholdelse, skal trampolinen først fjernes i sin helhed. Trampolinen løftes med stropperne som indgår i kassen (se manualen). Det anbefales at løfte trampolinen med mindst 3 voksne. Montering af stropperne under rammen kan kræve lidt gravearbejde. Når vedligeholdelsen er afsluttet placeres trampolinen tilbage i hullet. Bemærk at trampolinen skal stå vandret.

Trampolinen bør skilles ad, inden den flyttes over længere afstande. Læg delene i den originale emballage og saml trampolinen på den nye placering i overensstemmelse med montagevejledning.

Vær opmærksom på følgende:

- Samlingerne tilstand. (F.eks. Defekte svejsninger eller en bøjet ramme).
- Fjedrenes tilstand (om det er beskadigede eller strukket for langt) og fjedrenes fastgørelse til rammen og springdugen. Alle trampolins fjedre er udsat for slid og ælde. Udskift slidte dele efter behov.
- Tjek boltens samling for at sikre de er spændt, og efterspænd dem efter behov. Tjek (samlestifter) samlingerne for at sikre, at de ikke skubbes ud under hopperiet.
- Springdugens tilstand (skader, forkert spænding eller om dugen hænger). Springdugen slides ved brug og eksponering for sollys (UV-stråling). Udskift springdugen i tide, når dens tilstand forringes.
- Manglende, forkert placeret, eller løst monteret beskyttelsespolstring.
- Defekte syninger, revner eller huller i springdugen eller den beskyttende polstring.
- Slid af springdugens syninger, materiale eller beskyttende polstring.
- Tjek rammen for skarpe kanter og fremspring.
- omkring BERG-trampolinen. Brug af sådanne produkter kan få komponenterne til at ruste.
- Springdugen og polstringen rengøres med en klud og koldt vand. Brug ALDRIG opløsningsmidler, opvaskemiddel, sæbe eller varmt vand.

6.3 Demontering

- Saml trampolinen vha. skruer og beslag med selvlåsende møtrikker. De selvlåsende møtrikker er kun til engangsbrug. Hvis trampolinen skilles ad og pakkes sammen, skal de selvlåsende møtrikker skiftes ud.

6.4 Reparationer

Kontakt BERGs autoriserede forhandlere mht. bestilling af originale reservedele til BERG-trampolinen.

7. Garanti

7.1 Garantiperiode

- BERGs trampoliner er udført i en fremragende kvalitet. For at sikre dig mange års sjov og glæde på vores trampoliner, giver BERG dig en funktionalitetsgaranti. En funktionalitetsgaranti er en garanti, der dækker dens funktionelle brug. Se nedenstående tabel over garantiens varighed (år).

Ramme	10
Ramme (efter registrering produkt)	13 (10+3)
Polstring (Champion)	2
Polstring (Elite)	5
Springdugen	2
Fjedrenes	5
Sikkerhedsnet	2

- Med undtagelse af den 1-års garanti for BERGs Weather Cover (Vejrdække), er BERGs sikkerhedsnet og tilbehør omfattet af en garantiperiode på 2 år. Dele, der er modtagelige for slitage (f.eks. elastikker), vejrets påvirkning (f.eks. rust og misfarvning) og skummet på rørene i BERGs sikkerhedsnet, er ikke omfattet af garantien.

7.2 Garantibetingelser

Ejeren af produktet kan kun kræve garantidækning ved at fremvise den originale kvittering for købet. Garantien dækker kun materiale- og fabriktionsfejl relateret til BERG-produktet og dets relaterede dele.

Garantien annulleres og bliver ugyldig, hvis:

- Produktet bruges forkert og/eller uagtsomt.
- Produktet ikke er samlet og vedligeholdt i overensstemmelse med brugsanvisningen.
- Tekniske reparationer på produktet ikke er udført på en professionel måde.
- Reservedele er installeret forkert eller ikke svarer til de tekniske specifikationer for det pågældende produkt.
- Skader forårsaget af påvirkninger fra vejret som rust, UV-stråler eller normal slitage.
- Forkert nedgravning af BERG-trampolinen.
- Produktet anvendes til udlejning eller stilles til rådighed for brug af en tredjepart.
- Under garantiperioden vil alle materialer og konstruktionsrelaterede fejl blive repareret eller erstattet af BERG. Reparationer udføres og håndteres uden omkostninger, såfremt produktet stadig er inden for garantiperioden, som anført i artikel 7.1.
- BERGs garanti kan kun indfries, hvis produktet er tjekket af en autoriseret BERG -forhandler.
- BERGs garanti kan kun indfries, hvis det originale købsbevis vises til en autoriseret BERG-forhandler. Hvis ejeren er flyttet eller BERG-forhandleren er lukket, kan BERG anbefale en alternativ BERG-forhandler.
- Hvis garantikravet ikke er opfyldt, skal alle udgifter betales af ejeren.
- Denne garanti kan ikke overdrages til tredjemand.



Product registration

Er du interesseret i en gratis supplerende garanti?*

Glem ikke at registrere dit produkt online med det samme!
Gå til **www.bergtoys.com/registration**.

Denne produktregistrering giver dig ret til tre års udvidet garanti på rammen på din go-kart eller trampolin.

Denne udvidede garanti er et supplement til standardgarantien på den ramme, du modtager.

*For at se betingelserne, så besøg www.bergtoys.com/registration



www.bergtoys.com/registration



www.bergtoys.com

B/N sticker